



# Connectors for Aerospace and Military Actuators

## Selector Guide

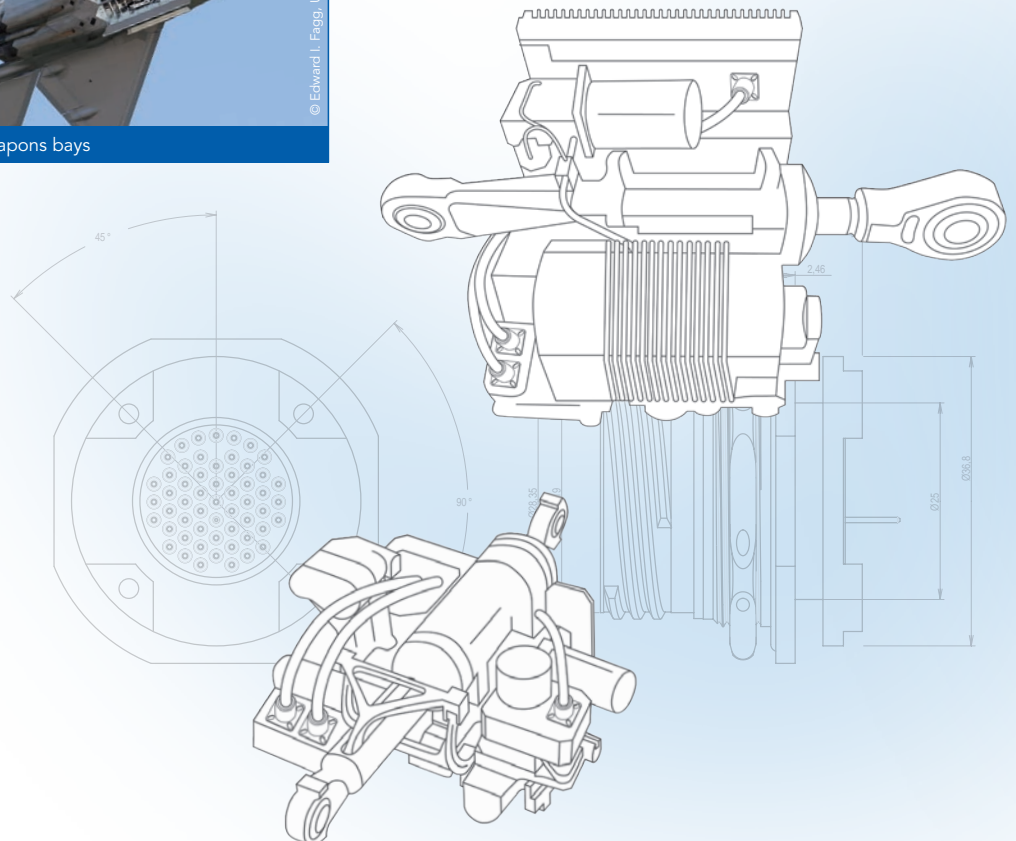
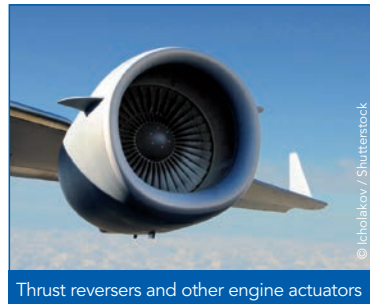


# SOURIAU

## Connectors for Aerospace and Military Actuators

### Typical Applications

SOURIAU designs connectors for critical systems in the harshest environments. Major actuators manufacturers trust SOURIAU's expertise and industrial excellence.



# SOURIAU Technical Solutions

A wide range of standard and customized solutions for actuators.



**Filtering**  
For EMI and lightning



**Corrosion free**  
Black Zinc Nickel plated Aluminum and Nickel plated Composite 38999 QPL



**Extreme environments**  
High vibration, icing resistance, high temperature (engine)



**High power**  
High Voltage - High Current  
New 230V ABS qualified for unpressurized environments

## Solutions based on standard series:

- EN2997, ESC 8533 Series
- EN3646, MIL-DTL 26482 Series I, II 852 Series
- EN3645, MIL-DTL 38999 Series I, II, III 8LT, 8T, 8D Series



**Weight and space saving**  
Composite, micro38999, high density 38999, integrated backshell...



**Valve connectors**



**Saving time in installation**  
In PCB and panel mounting, harness making



**Sealing and hermeticity**  
Standard sealing, resin sealed, hermetic...



**Rack solutions**  
Wide range available

**New!** Backshells available - Contact us

# Unique Capability

## Newest Generation of Connectors for Actuators



FIRST 38999  
OPL  
QUALIFIED

### Black Zinc Nickel plating for Aluminum 38999

- Lightweight: 65% lighter than stainless steel
- Corrosion resistance: 500h salt spray (Compatible with Alodine 1200)
- RoHS
- Compatible with Black Zinc Nickel backshells



AIRBUS  
QUALIFIED  
ABS2219 ABS2220  
ABS2221 ABS2222

### 230V connectors for use in unpressurized areas

- Trend  
Voltage is increasing on new generation of aircraft because it allows significant weight reduction by using smaller cable gauge
- Risk  
High voltage in unpressurized areas may generate electrical discharges in the air around the contacts and electrical stress of the insulator: Risk of short circuit after many years
- SOURIAU solution  
Thanks to special materials and assembly process, 9 SOURIAU layouts (EN2997, 38999) can be safely used for 230V in unpressurized environments



[www.souriau.com](http://www.souriau.com)

[technical.emear@souriau.com](mailto:technical.emear@souriau.com) (Europe - Asia - Africa)

[technical.americas@souriau.com](mailto:technical.americas@souriau.com) (North America)



**SOURIAU**  
Connection Technologies