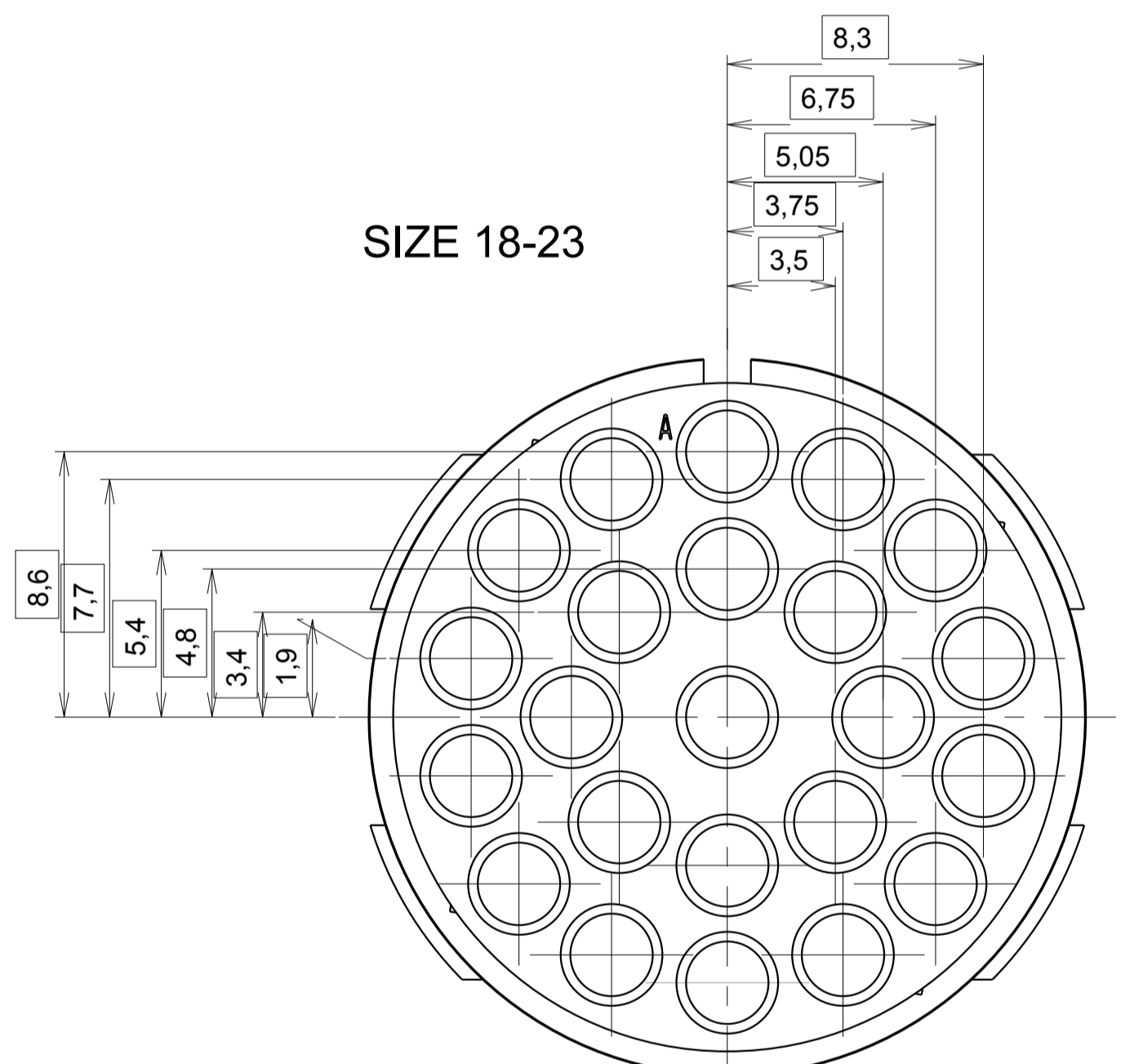
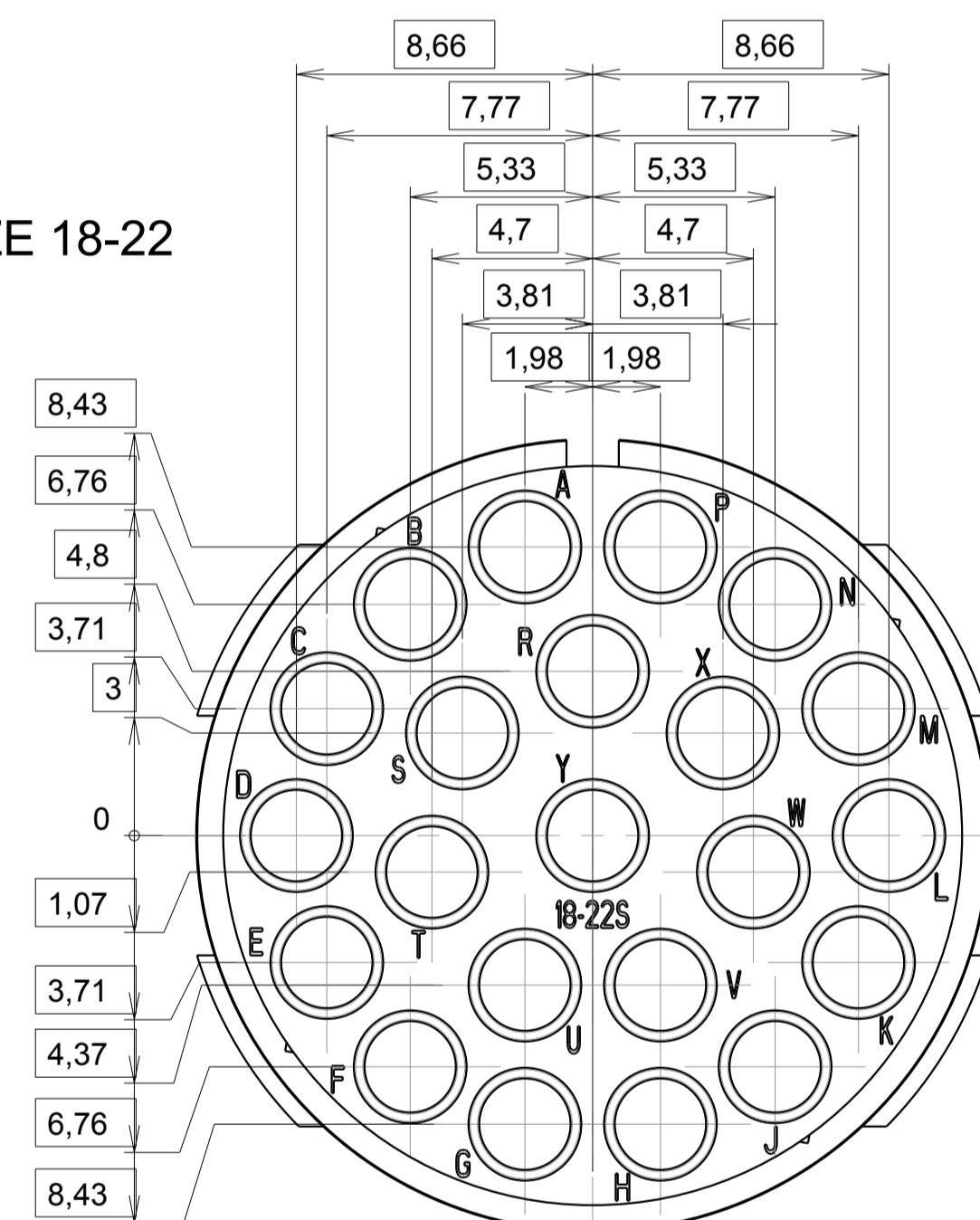
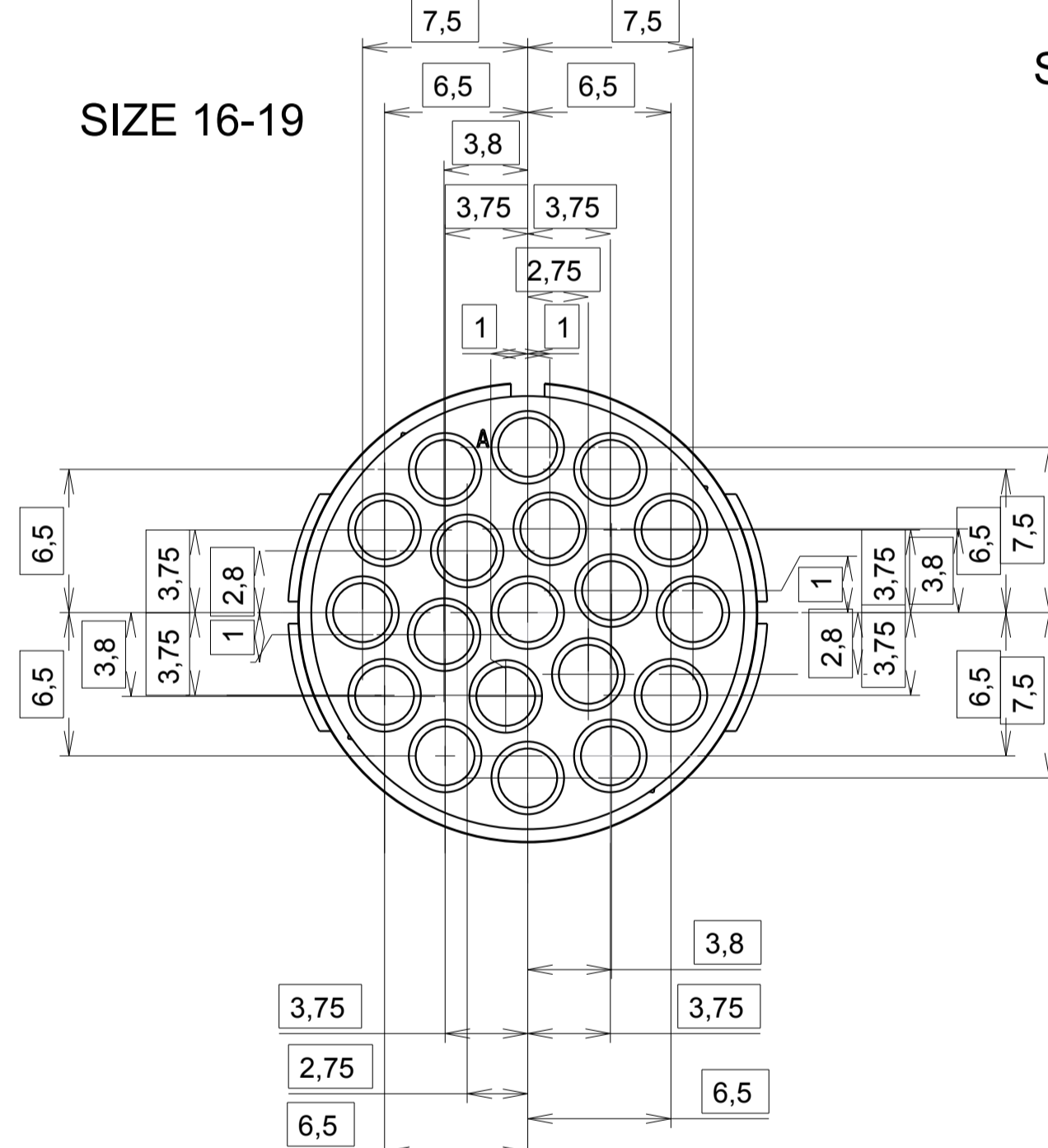
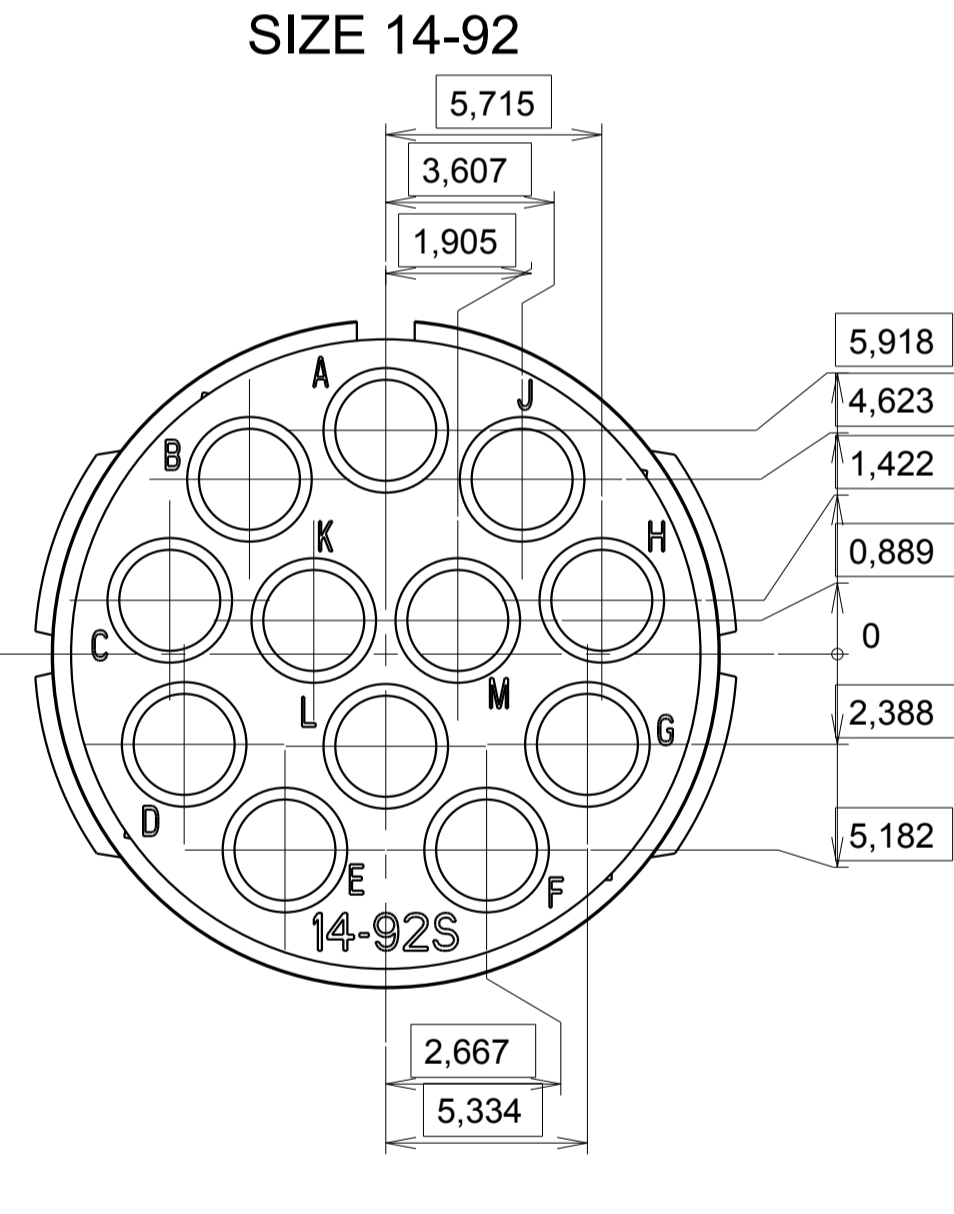
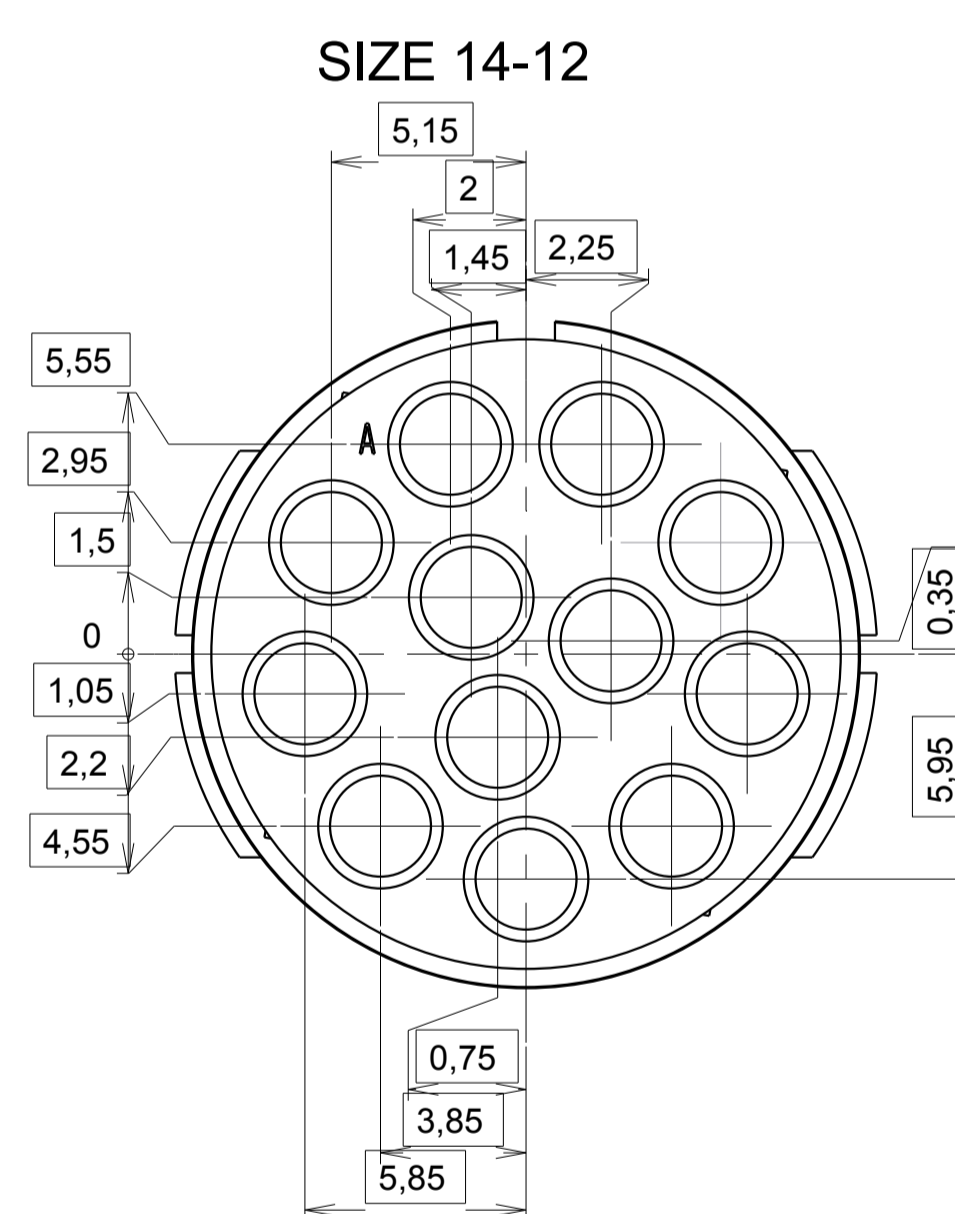
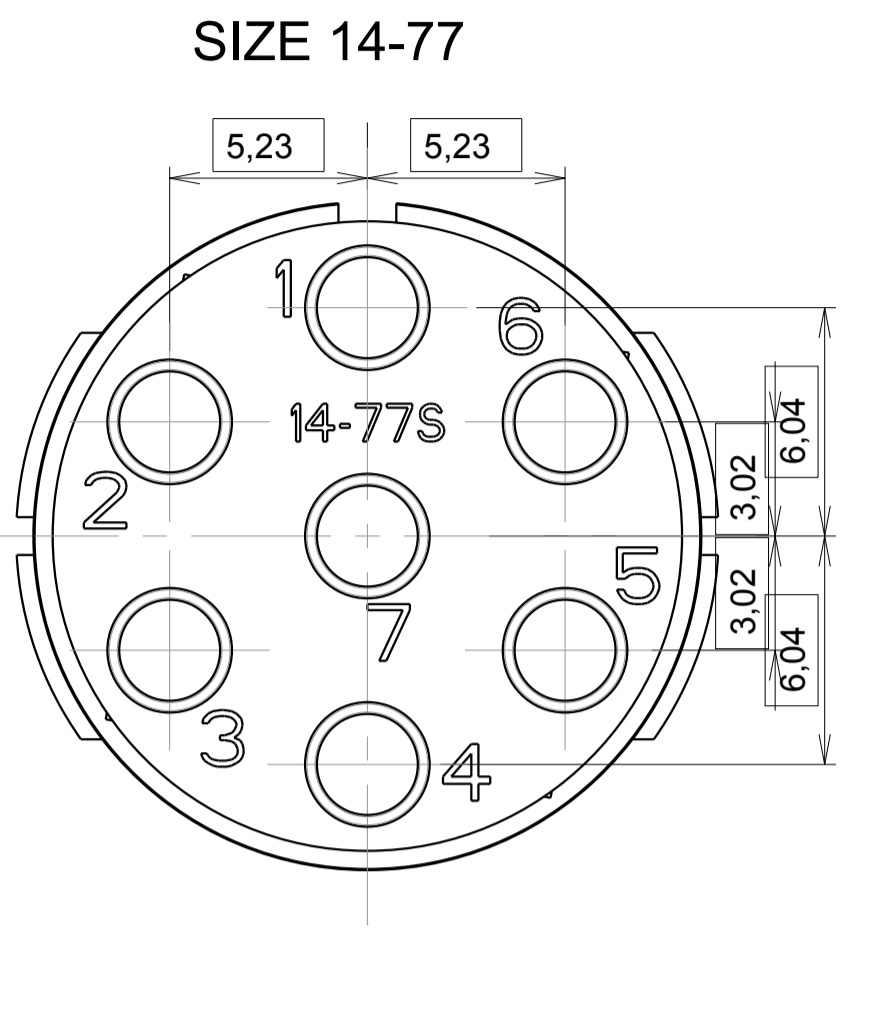
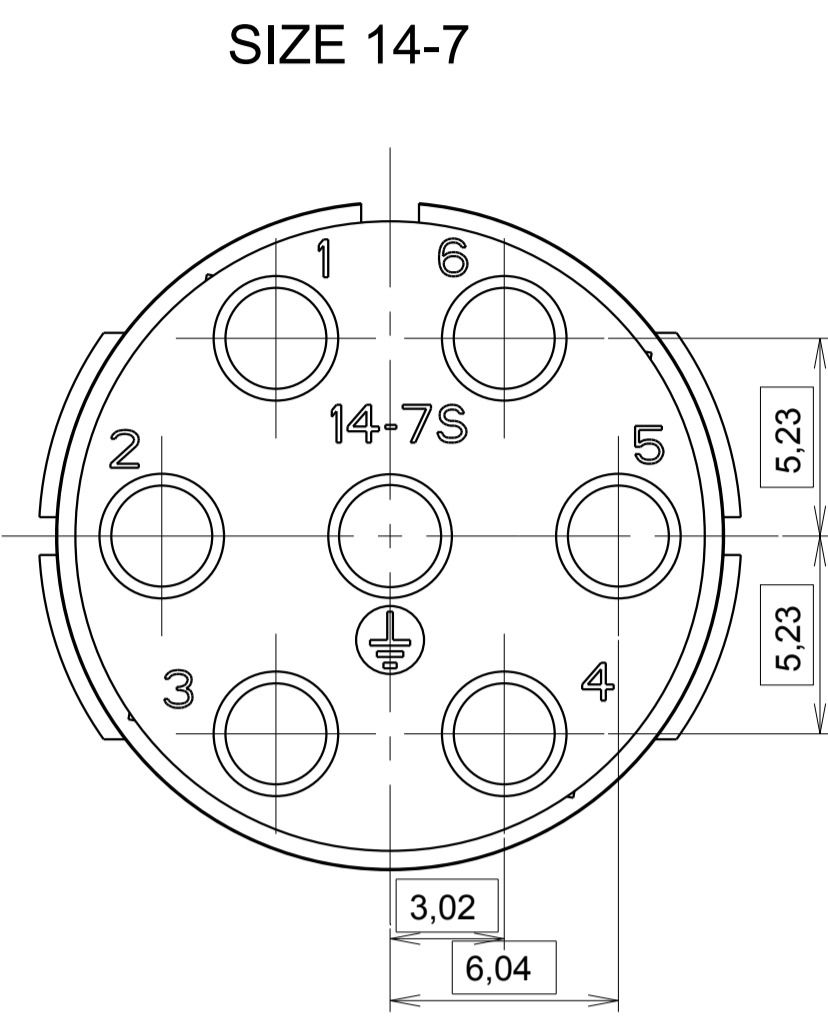
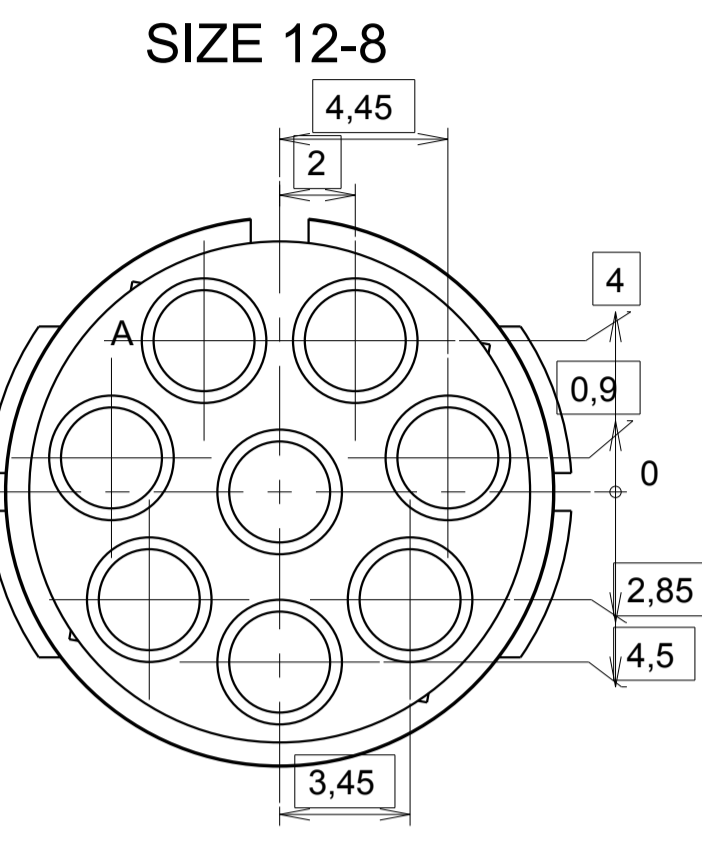
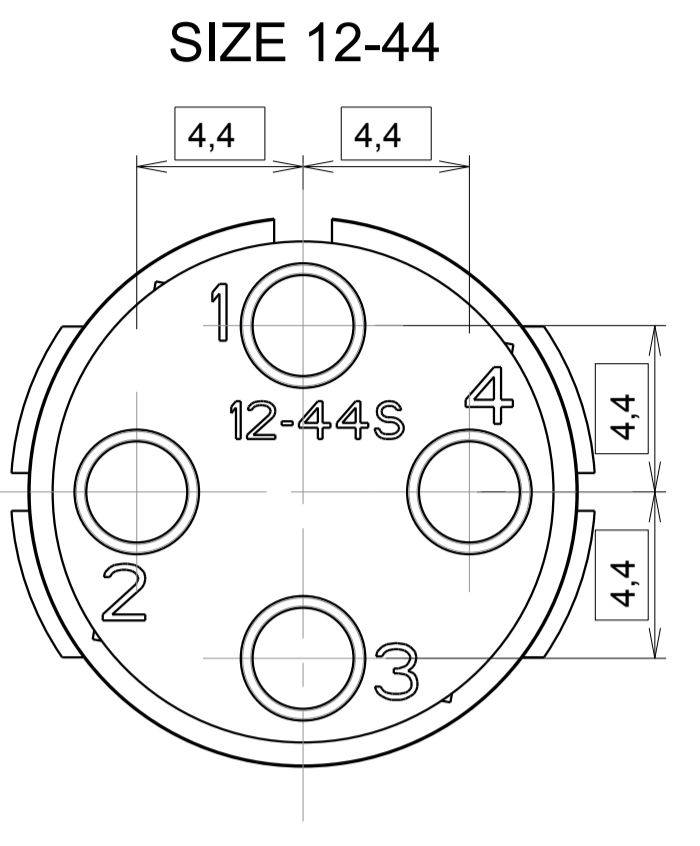
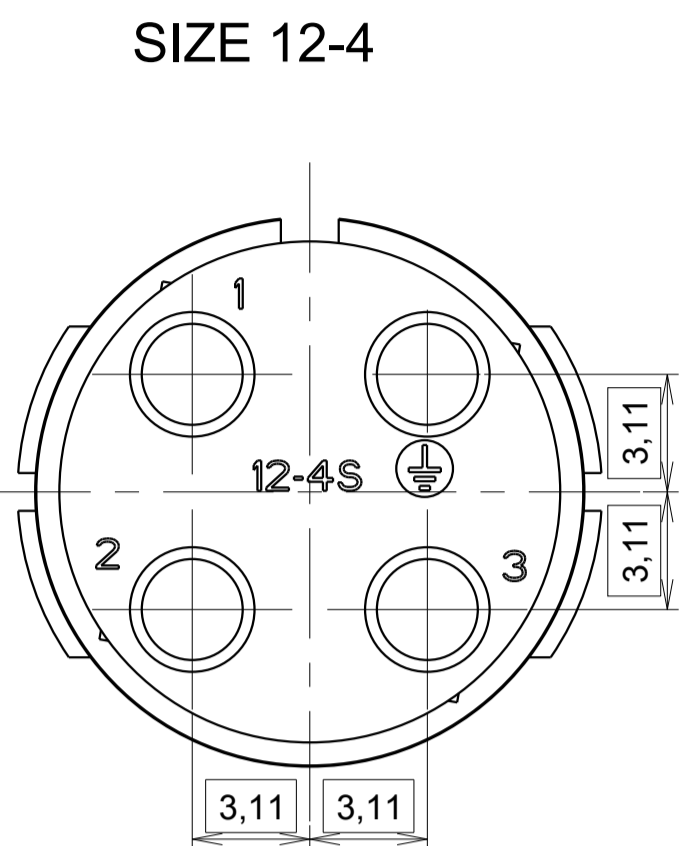
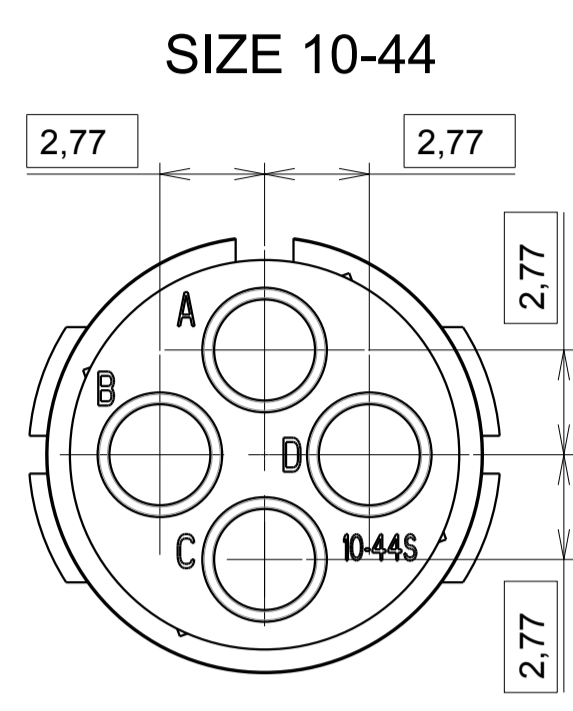
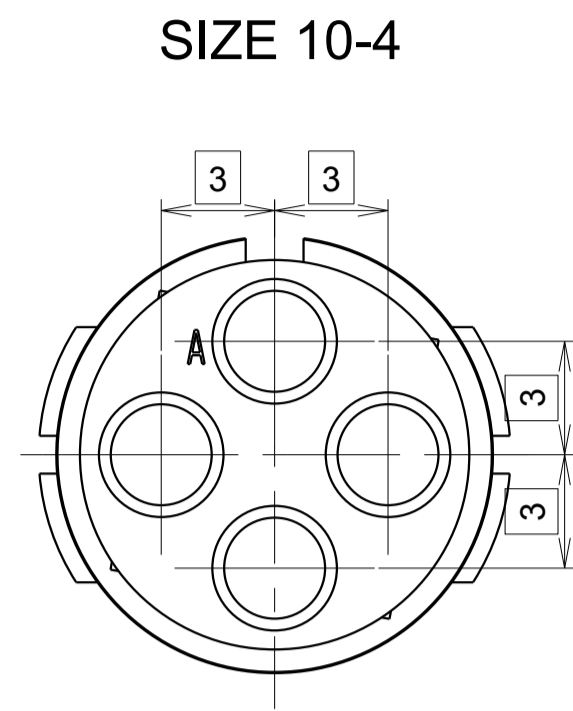
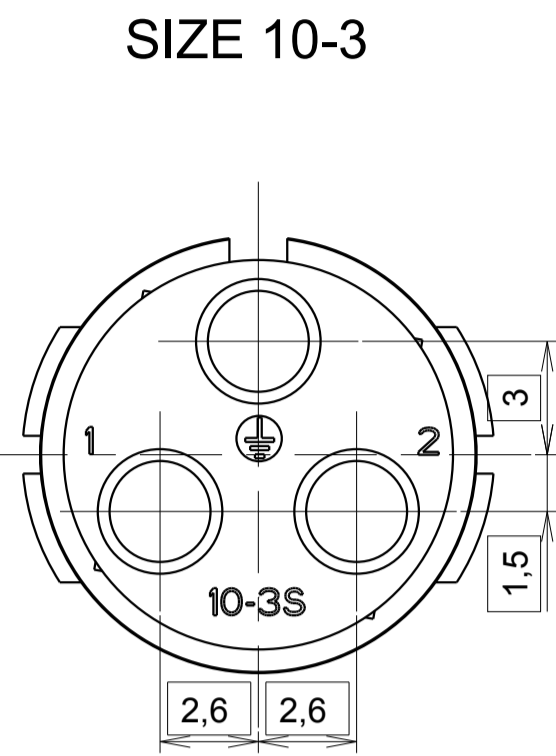


DRILLING HOLE PATTERN

(Mating Face View of female insulators)

0
UTO6- - - S DRILLING HOLE PATTERN
7

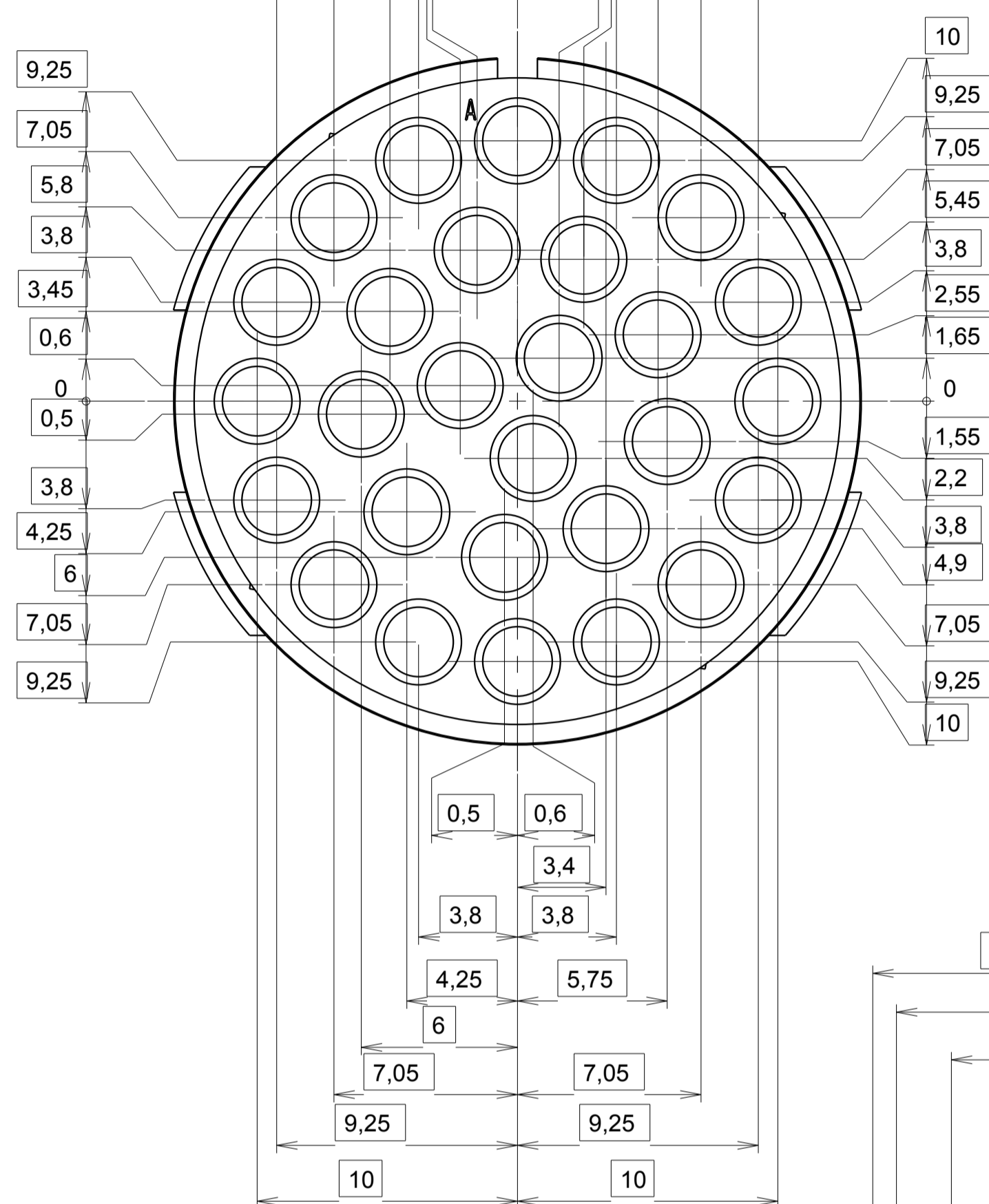


-Mating face of connectors
-Recommended drilling hole $\phi=1.2$ mm
-All dimensions are for "N" insert position

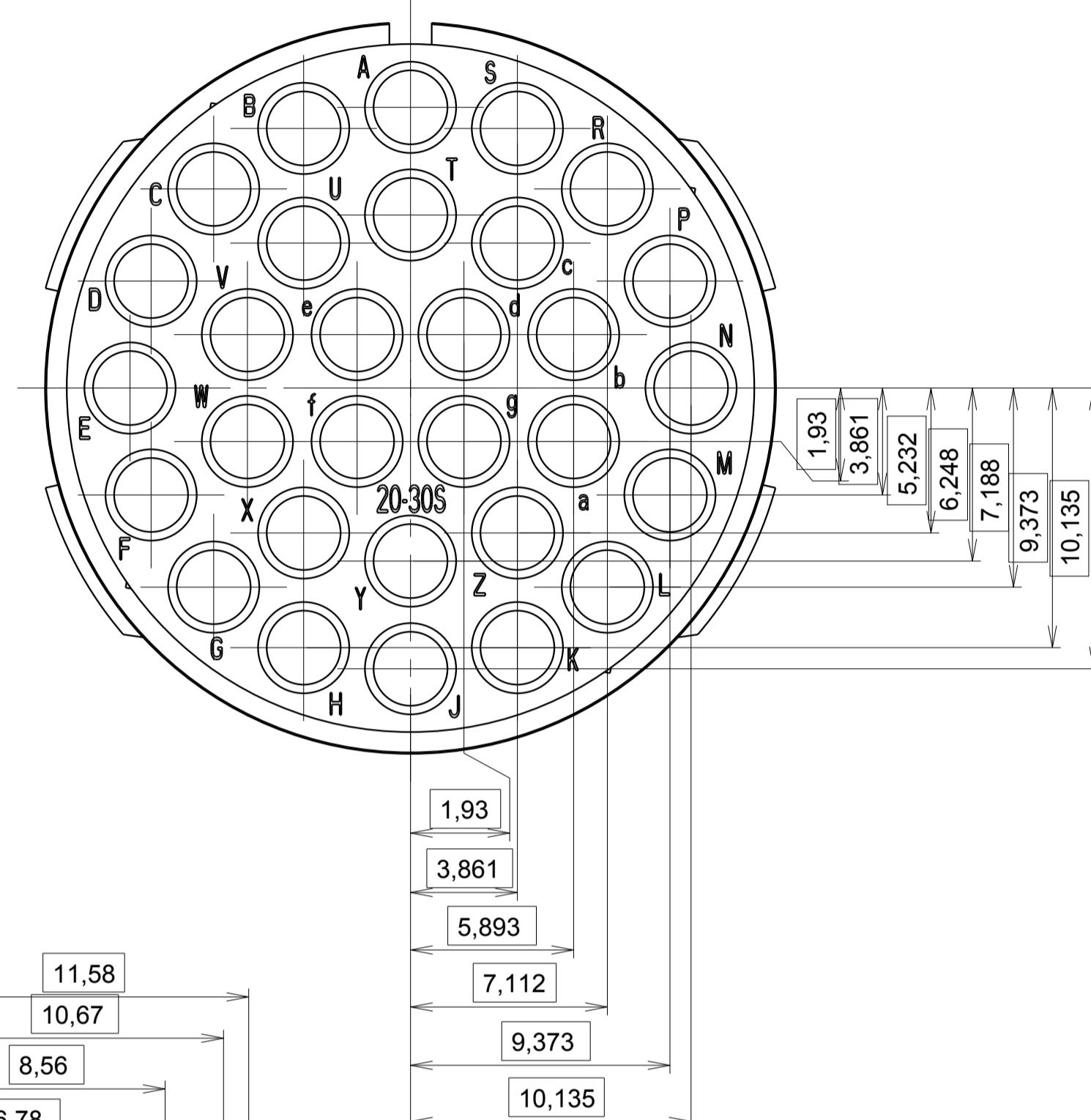
G	12/11/2018	Plan cartridge update		
ISS	DATE	Latest modification - by:	COURTOIS L.	MOD N°
Designed by:	BERGER L.	Date:	CUSTOMER DRAWING	
TITLE				
FEMALE CONNECTOR UTO (UTO----S-)				
DRILLING HOLE PATTERN FOR FEMALE RECEPTACLE AND PLUG CONNECTOR				
Scale	5/1	Dimensions in mm	NPRDS / PROJECT	
		General linear	UTS	
		Tolerances:	± --	
		www.esterline-connection-technologies.com		This document is the property of SOURIAU. It must not be reproduced or communicated without permission.
FORMAT	SOURIAU DRG N°			SHEET
A1	UT0-DHP-002-C01			1/2

SOURIAU shall not be liable for any non-conformity or damage due to a use of the Products which does not comply with the Specifications issued by either of the Parties or by a third party (professional recommendation, technical notice.)

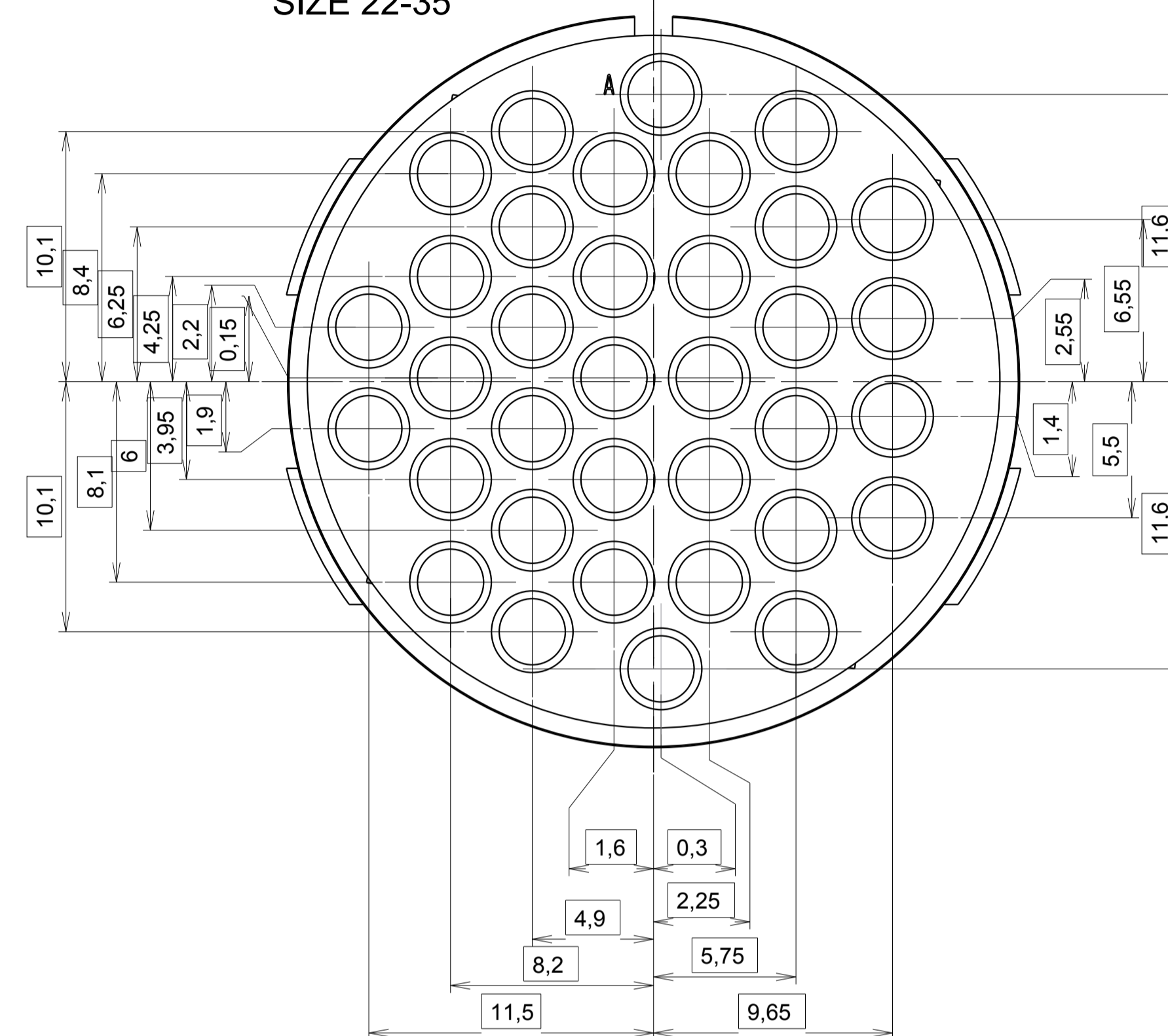
SIZE 20-28



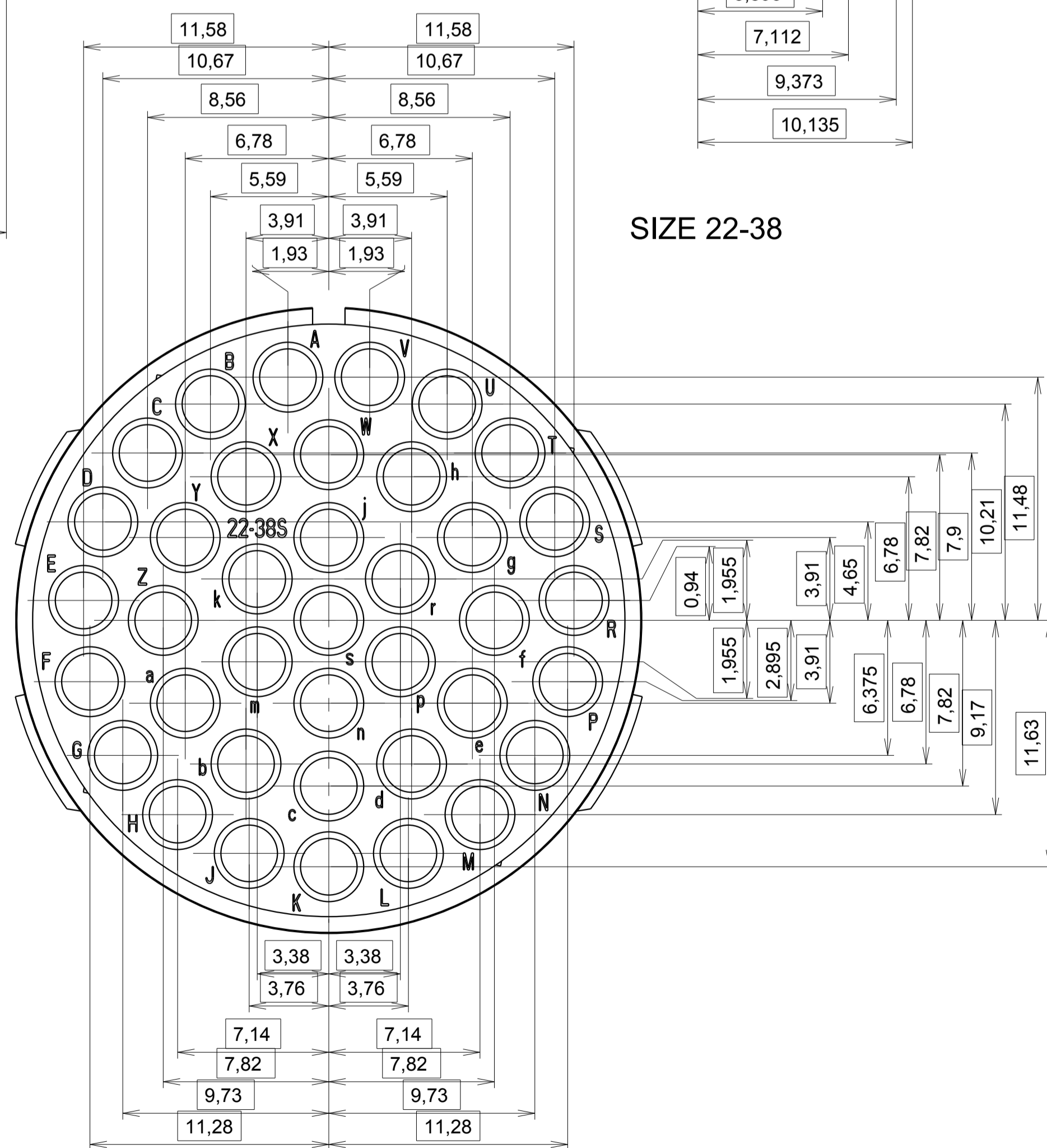
SIZE 20-30



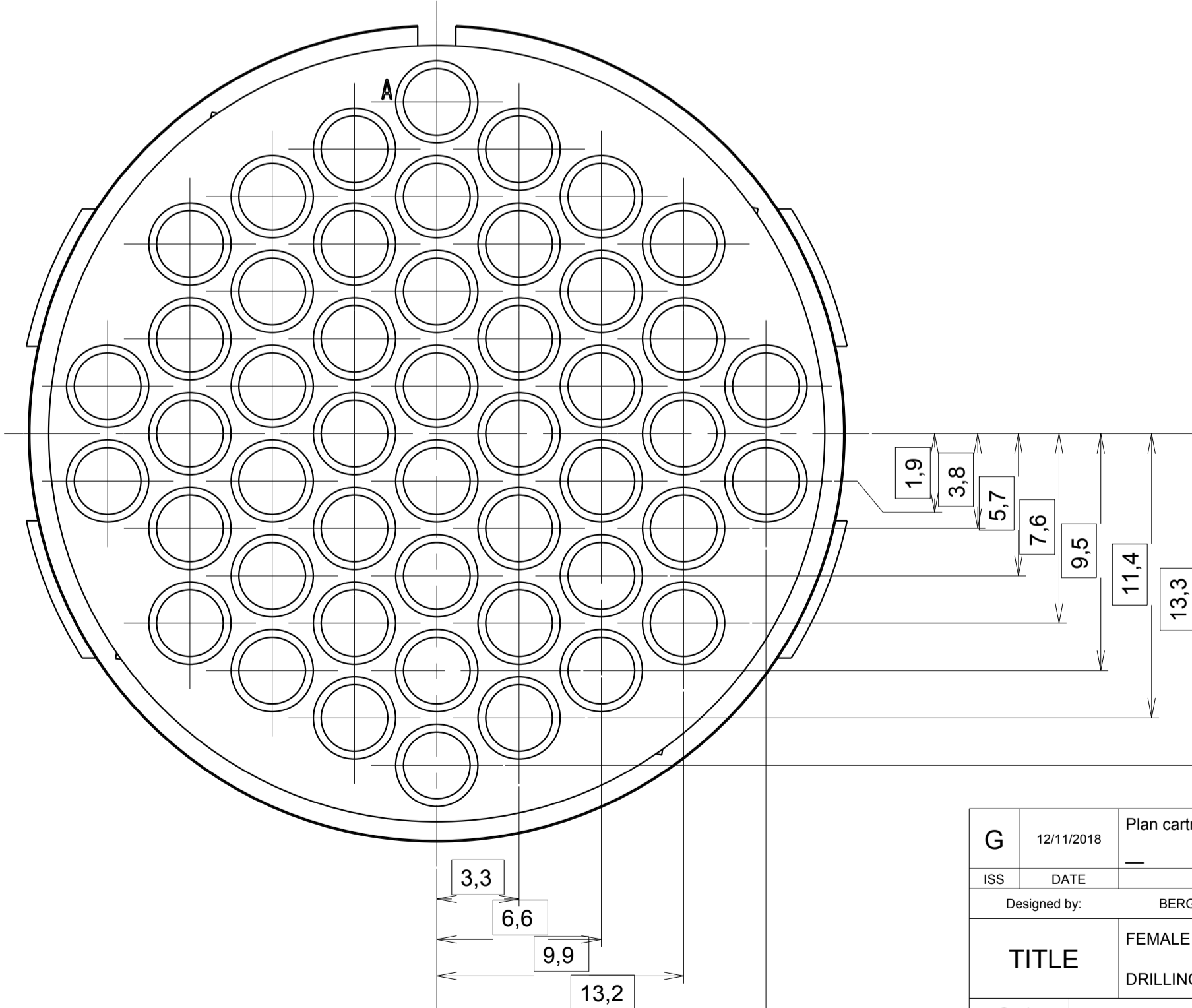
SIZE 22-35



SIZE 22-38



SIZE 24-48



SOURIAU shall not be liable for any non-conformity or damage due to a use of the Products which does not comply with the Specifications issued by either of the Parties or by a third party (professional recommendation, technical notice.)

G	12/11/2018	Plan cartridge update	
ISS	DATE	Latest modification - by:	COURTOIS L. MOD N°
Designed by:	BERGER L.	Date:	09/02/2014
CUSTOMER DRAWING			
TITLE			
FEMALE CONNECTOR UTO (UTO----S--)			
DRILLING HOLE PATTERN FOR FEMALE RECEPTACLE AND PLUG CONNECTOR			
Scale	5/1	Dimensions in mm General linear Tolerances: ± --	NPRDS / PROJECT UTS
		www.esterline-connection-technologies.com	
This document is the property of SOURIAU. It must not be reproduced or communicated without permission.			
FORMAT	A1	SOURIAU DRG N° UT0-DHP-002-C01	SHEET 2 / 2