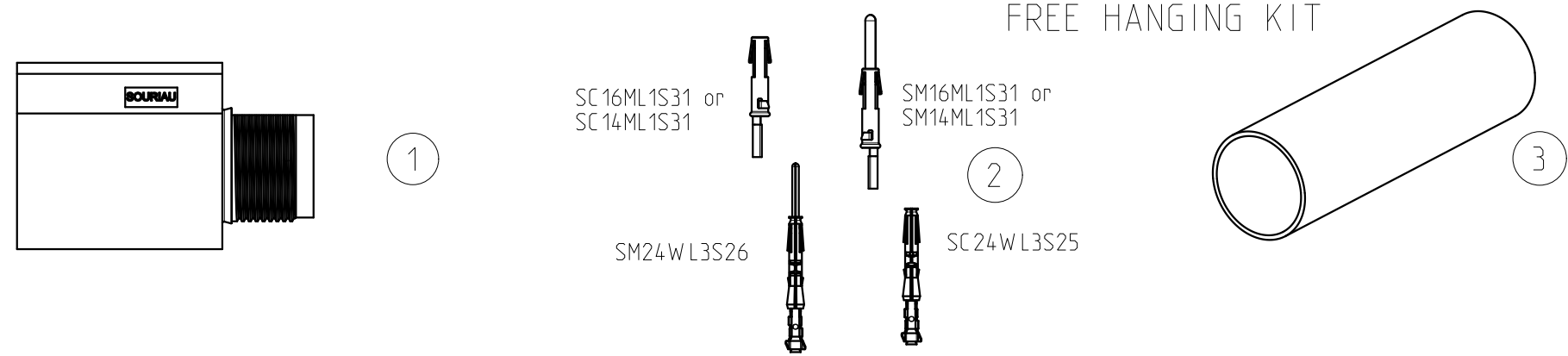
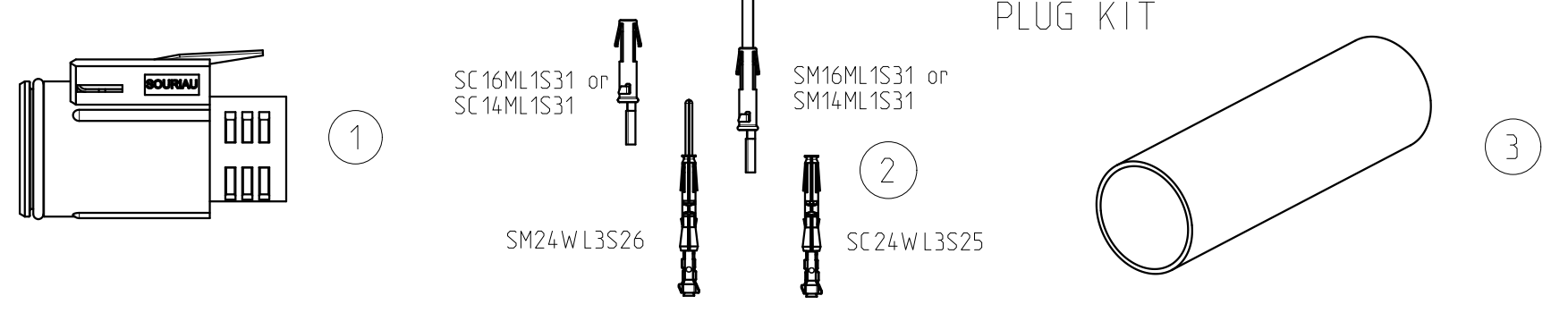


FREE HANGING KIT



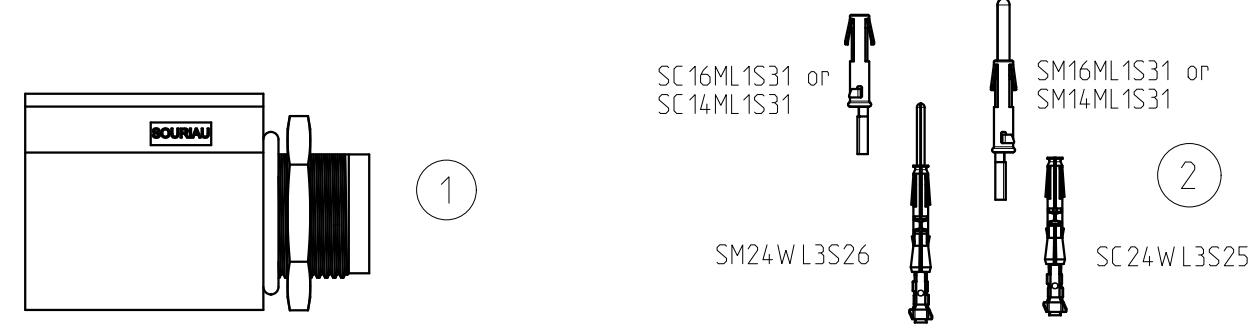
P/N KIT	CONNECTOR ①			CONTACTS ②			BACKSHELL ③		
	P/N	QTY	DRAWING	P/N	QTY	DRAWING	P/N	QTY	DRAWING
UTL1102G1W 3P16AW G	UTL1102G1W 3P	x 1	UTL1-0051-C01	SM16ML1S31	x3	BS.C.200178001	HEATSHRINK BOOT	x1	-----
				SC16ML1S31	x2	BS.C.200178002			
				SM20WL3S26	x1	BS.C.202338001			
				SM24WL3S26	x3				
UTL1102G1W 3P14AW G	UTL1102G1W 3P	x 1	UTL1-0051-C01	SM14ML1S31	x3	BS.C.200178001	HEATSHRINK BOOT	x1	-----
				SC14ML1S31	x2	BS.C.200178002			
				SM20WL3S26	x1	BS.C.202338001			
				SM24WL3S26	x3				
UTL1102G1W 3S16AW G	UTL1102G1W 3S	x 1	UTL1-0052-C01	SM16ML1S31	x2	BS.C.200178001	HEATSHRINK BOOT	x1	-----
				SC16ML1S31	x3	BS.C.200178002			
				SC20WL3S25	x1	BS.C.202338001			
				SC24WL3S25	x3				
UTL1102G1W 3S14AW G	UTL1102G1W 3S	x 1	UTL1-0052-C01	SM14ML1S31	x2	BS.C.200178001	HEATSHRINK BOOT	x1	-----
				SC14ML1S31	x3	BS.C.200178002			
				SC20WL3S25	x1	BS.C.202338001			
				SC24WL3S25	x3				

PLUG KIT



P/N KIT	CONNECTOR ①			CONTACTS ②			BACKSHELL ③		
	P/N	QTY	DRAWING	P/N	QTY	DRAWING	P/N	QTY	DRAWING
UTL6102G1W 3P16AW G	UTL6102G1W 3P	x 1	UTL1-0049-C01	SM16ML1S31	x3	BS.C.200178001	HEATSHRINK BOOT	x1	-----
				SC16ML1S31	x2	BS.C.200178002			
				SM20WL3S26	x1	BS.C.202338001			
				SM24WL3S26	x3				
UTL6102G1W 3P14AW G	UTL6102G1W 3P	x 1	UTL1-0049-C01	SM14ML1S31	x3	BS.C.200178001	HEATSHRINK BOOT	x1	-----
				SC14ML1S31	x2	BS.C.200178002			
				SM20WL3S26	x1	BS.C.202338001			
				SM24WL3S26	x3				
UTL6102G1W 3S16AW G	UTL6102G1W 3S	x 1	UTL1-0050-C01	SM16ML1S31	x2	BS.C.200178001	HEATSHRINK BOOT	x1	-----
				SC16ML1S31	x3	BS.C.200178002			
				SC20WL3S25	x1	BS.C.202338001			
				SC24WL3S25	x3				
UTL6102G1W 3S14AW G	UTL6102G1W 3S	x 1	UTL1-0050-C01	SM14ML1S31	x2	BS.C.200178001	HEATSHRINK BOOT	x1	-----
				SC14ML1S31	x3	BS.C.200178002			
				SC20WL3S25	x1	BS.C.202338001			
				SC24WL3S25	x3				

JAM NUT RECEPTACLE CONNECTOR KIT

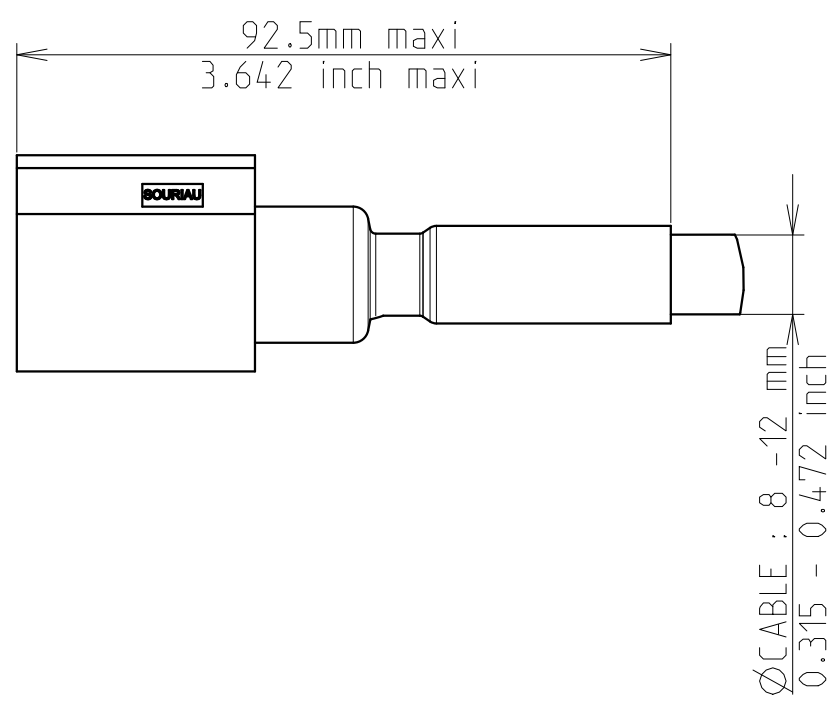


P/N KIT	CONNECTOR ①			CONTACTS ②		
	P/N	QTY	DRAWING	P/N	QTY	DRAWING
UTL7102G1W 3P16AW G	UTL7102G1W 3P	x 1	UTL1-0047-C01	SM16ML1S31	x3	BS.C.200178001
				SC16ML1S31	x2	BS.C.200178002
				SM20WL3S26	x1	BS.C.202338001
				SM24WL3S26	x3	
UTL7102G1W 3P14AW G	UTL7102G1W 3P	x 1	UTL1-0047-C01	SM14ML1S31	x3	BS.C.200178001
				SC14ML1S31	x2	BS.C.200178002
				SM20WL3S26	x1	BS.C.202338001
				SM24WL3S26	x3	
UTL7102G1W 3S16AW G	UTL7102G1W 3S	x 1	UTL1-0048-C01	SM16ML1S31	x2	BS.C.200178001
				SC16ML1S31	x3	BS.C.200178002
				SC20WL3S25	x1	BS.C.202338001
				SC24WL3S25	x3	
UTL7102G1W 3S14AW G	UTL7102G1W 3S	x 1	UTL1-0048-C01	SM14ML1S31	x2	BS.C.200178001
				SC14ML1S31	x3	BS.C.200178002
				SC20WL3S25	x1	BS.C.202338001
				SC24WL3S25	x3	

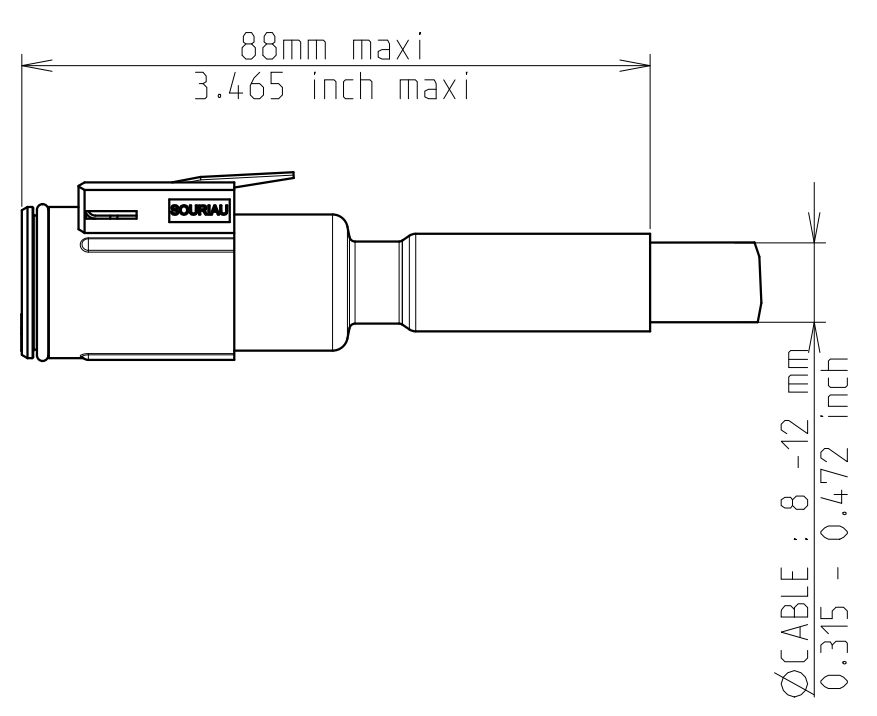
NOTES :

Bill of material of each kit is detailed in tables
 Each kit is delivered in plastic bag with wiring instructions document (extract from BT292 document)
 UTL1* and UTL6 * kits includes a heat shrink boot.
 Heat shrink details : High-Shrink-Ratio (4:1), Adhesive-Lined Polyolefin Tubing
 For cable instruction, refer to BT 292

FREE HANGING (ex UTL1102G1W 3P16AW G)



PLUG (ex UTL6102G1W 3P16AW G)



P/N : SEE TABLE

D	10/08/15	--	Drawing's update	--
ISS	DATE	Latest modification - by:		R.M.
Designed by:		CHANTOISEAU P.	Date: 17/12/13	CUSTOMER DRAWING
TITLE		EVALUATION KIT UTL CONNECTOR		
Scale	1/1	General Linear Tolerances: ± 0.2	NPRDS / PROJECT IC134605A	
SOURIAU		WWW.SOURIAU.COM		This document is the property of SOURIAU. It must not be reproduced or communicated without permission.
FORMAT	A2	SOURIAU DRG N° UTL1-0059A-C01		SHEET 1 / 1