

FREE HANGING KIT



P/N KIT	CONNECTOR (1)			CONTACTS (2)			BACKSHELL (3)		
	P/N	QTY	DRAWING	P/N	QTY	DRAWING	P/N	QTY	DRAWING
UTL1103G1P20AWG	UTL1103G1P	x 1	UTL1-0015-C01	SM20ML1S31	x4	BS,C,200178001	HEATSHRINK BOOT	x1	-----
UTL1103G1P16AWG				SC20ML1S31	x2	BS,C,200178002			
UTL1103G1P14AWG				SM16ML1S31	x4	BS,C,200178001			
UTL1103G1S20AWG				SC16ML1S31	x2	BS,C,200178002			
UTL1103G1S16AWG	SM14ML1S31	x4	BS,C,200178001						
UTL1103G1S14AWG	SC14ML1S31	x2	BS,C,200178002						

PLUG KIT



P/N KIT	CONNECTOR (1)			CONTACTS (2)			BACKSHELL (3)		
	P/N	QTY	DRAWING	P/N	QTY	DRAWING	P/N	QTY	DRAWING
UTL6103G1P20AWG	UTL6103G1P	x 1	UTL1-0009-C01	SM20ML1S31	x4	BS,C,200178001	HEATSHRINK BOOT	x1	-----
UTL6103G1P16AWG				SC20ML1S31	x2	BS,C,200178002			
UTL6103G1P14AWG				SM16ML1S31	x4	BS,C,200178001			
UTL6103G1S20AWG				SC16ML1S31	x2	BS,C,200178002			
UTL6103G1S16AWG	SM14ML1S31	x4	BS,C,200178001						
UTL6103G1S14AWG	SC14ML1S31	x2	BS,C,200178002						

JAM NUT RECEPTACLE CONNECTOR KIT



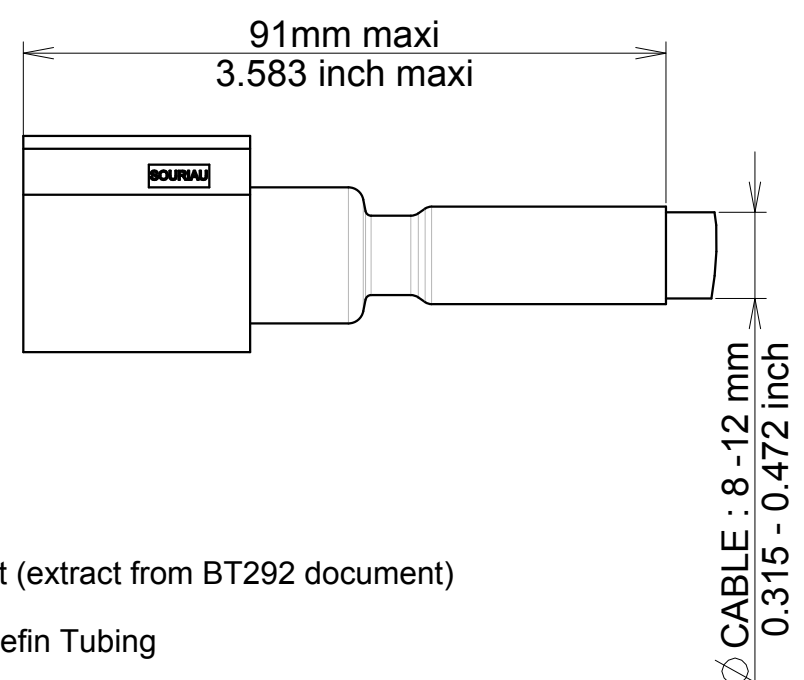
P/N KIT	CONNECTOR (1)			CONTACTS (2)		
	P/N	QTY	DRAWING	P/N	QTY	DRAWING
UTL7103G1P20AWG	UTL7103G1P	x 1	UTL1-0007-C01	SM20ML1S31	x4	BS,C,200178001
UTL7103G1P16AWG				SC20ML1S31	x2	BS,C,200178002
UTL7103G1P14AWG				SM16ML1S31	x4	BS,C,200178001
UTL7103G1S20AWG				SC16ML1S31	x2	BS,C,200178002
UTL7103G1S16AWG	SM14ML1S31	x4	BS,C,200178001			
UTL7103G1S14AWG	SC14ML1S31	x2	BS,C,200178002			

SQUARE FLANGE RECEPTACLE KIT

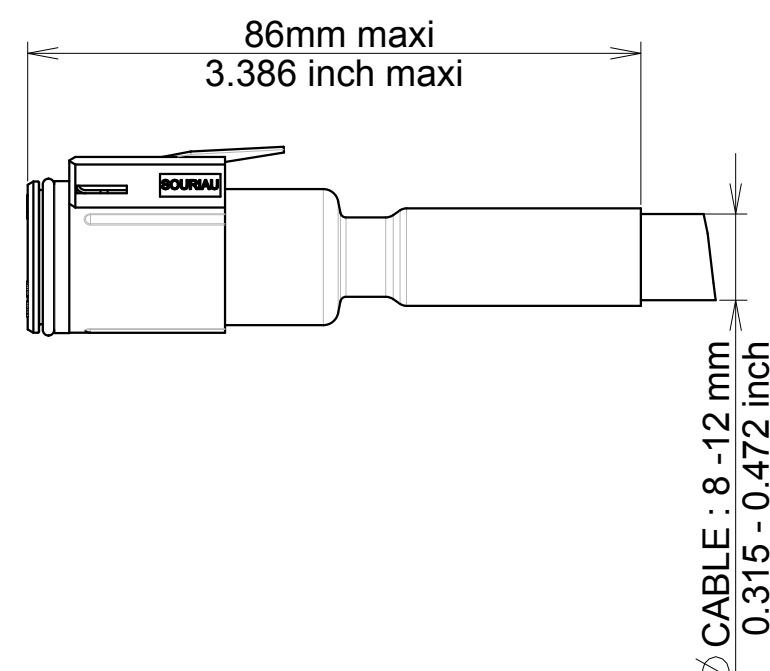


P/N KIT	CONNECTOR (1)			CONTACTS (2)		
	P/N	QTY	DRAWING	P/N	QTY	DRAWING
UTL0103G1P20AWG	UTL0103G1P	x 1	UTL1-0005-C01	SM20ML1S31	x4	BS,C,200178001
UTL0103G1P16AWG				SC20ML1S31	x2	BS,C,200178002
UTL0103G1P14AWG				SM16ML1S31	x4	BS,C,200178001
UTL0103G1S20AWG				SC16ML1S31	x2	BS,C,200178002
UTL0103G1S16AWG	SM14ML1S31	x4	BS,C,200178001			
UTL0103G1S14AWG	SC14ML1S31	x2	BS,C,200178002			

FREE HANGING (ex UTL1103G1P16AWG)



PLUG (ex UTL6103G1P16AWG)



P/N : SEE TABLE

NOTES :

Bill of material of each kit is detailed in tables
 Each kit is delivered in plastic bag with wiring instructions document (extract from BT292 document)
 UTL1* and UTL6* kits includes a heat shrink boot.
 Heat shrink details : High-Shrink-Ratio (4:1), Adhesive-Lined Polyolefin Tubing
 For cable instruction, refer to BT 292

c	19/11/12	Change part number customer drawing	22725
ISS	DATE	UTS2-0037A-C01 by UTL1-0037A-C01	MOD N°
Designed by:	RAGAINÉ M.	Date: 21/09/12	CUSTOMER DRAWING
TITLE	EVALUATION KIT UTL CONNECTOR		
Scale	7/1	General linear Tolerances: ± 0,2	NPRDS / PROJECT UTL
FORMAT	A2	SOURIAU DRG N° UTL1-0037A-C01	SHEET 1/1

This document is the property of SOURIAU
 It must not be reproduced or communicated without permission