

H G F E D C B A

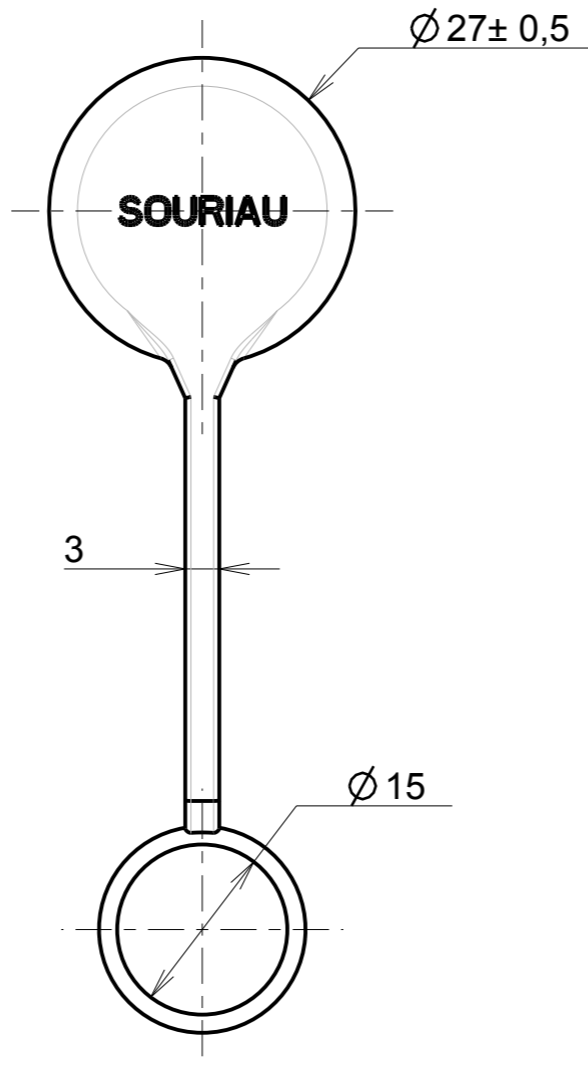
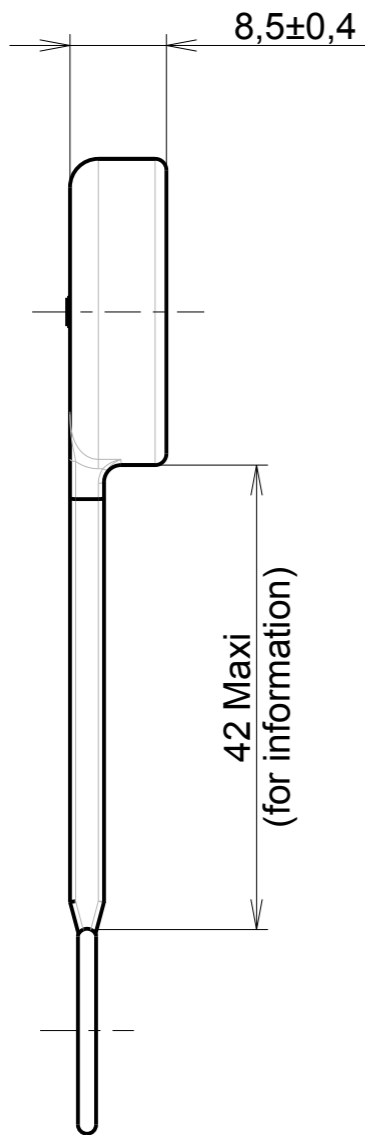
b : 1 ; RL

4

3

2

1



MATERIALS  
ELASTOMER SHELL  
O'RING

EPDM  
NBR

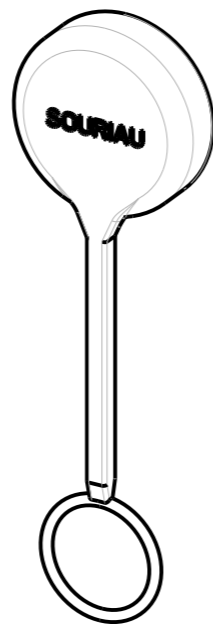
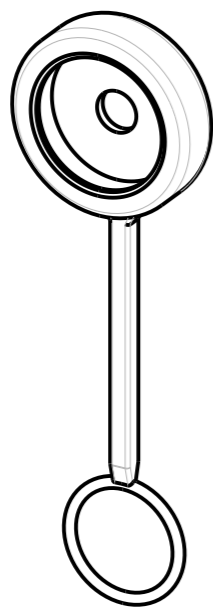
PERFORMANCES CHARACTERISTICS


MECHANICAL	TEMPERATURE CLASS	IEC61984/UL1977	-40°C TO 105°C
	DURABILITY	IEC61984	500 MATE / UNMATE CYCLES
	SEALING IN MATED CONDITIONS	IEC60529	IP67
	CORROSION SALT SPRAY		MIN 1000H

ROHS COMPLIANT

1. COUNTERPART REFERENCE UTL PLUG
2. UNIT IN MM

P/N : UTL610DCG



b	19/11/12	Change part number customer drawing UTS2-0021A-C01 by UTL1-0021A-C01	22725
ISS	DATE	Latest modification - by: RIOUX.B	MOD N°
Designed by: J.FEURPRIER		Date: 17/09/12	CUSTOMER DRAWING
TITLE		PLASTIC DUST CAP FOR PLUG SIZE 10 UTL CONNECTOR	
Scale	~7/10	General linear Tolerances: ± 0.5	NPRDS / PROJECT UTL
		WWW.SOURIAU.COM	This document is the property of SOURIAU It must not be reproduced or communicated without permission
FORMAT	SOURIAU DRG N° UTL1-0021A-C01		SHEET 1/1
A3			NOT EXPORT CONTROLLED

H G F E D C B A