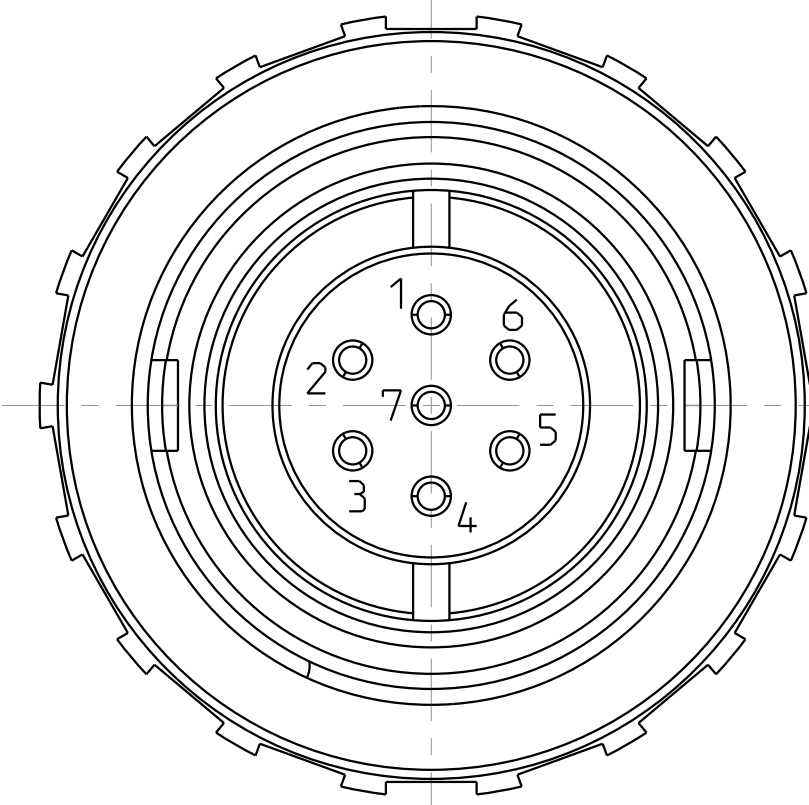
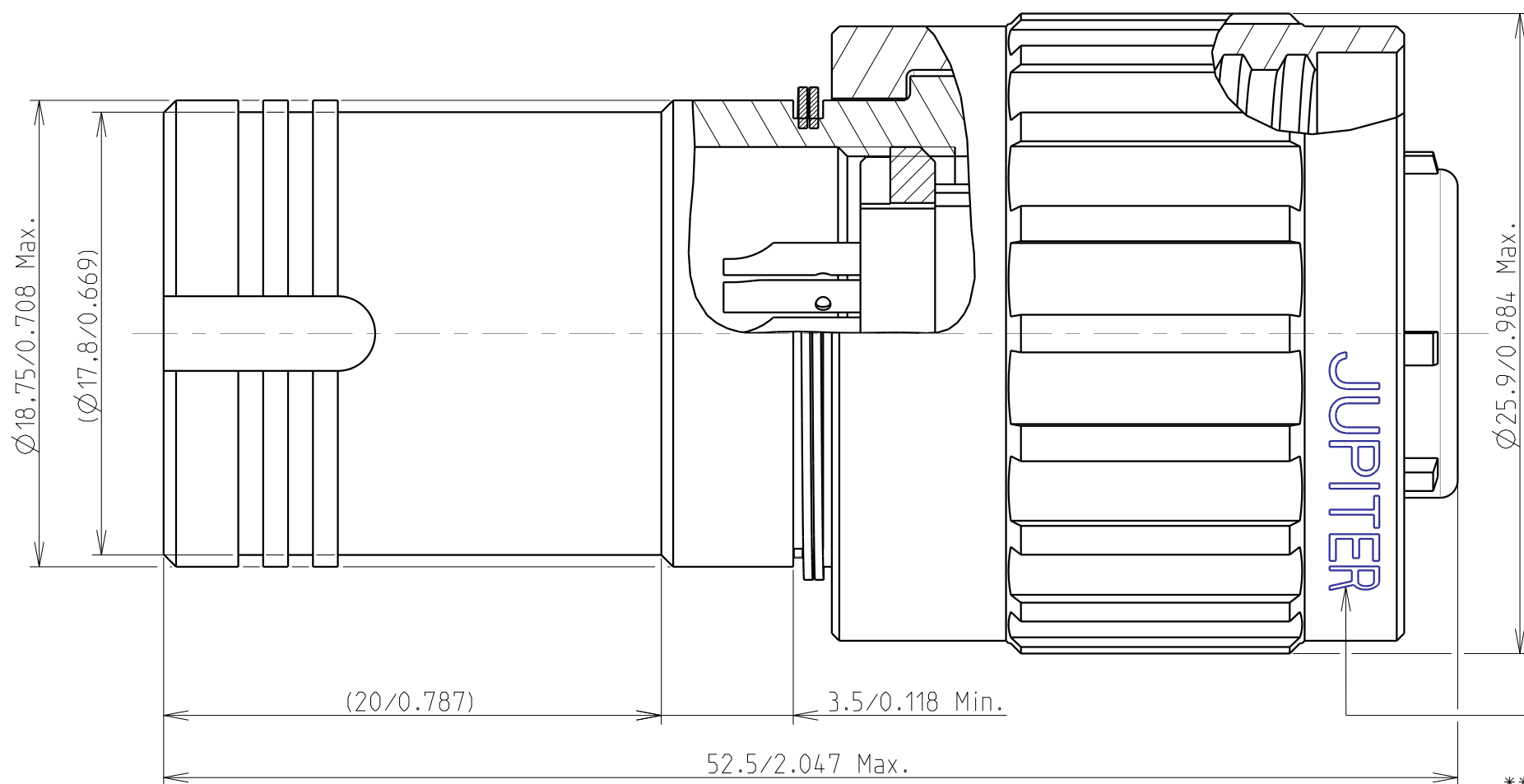
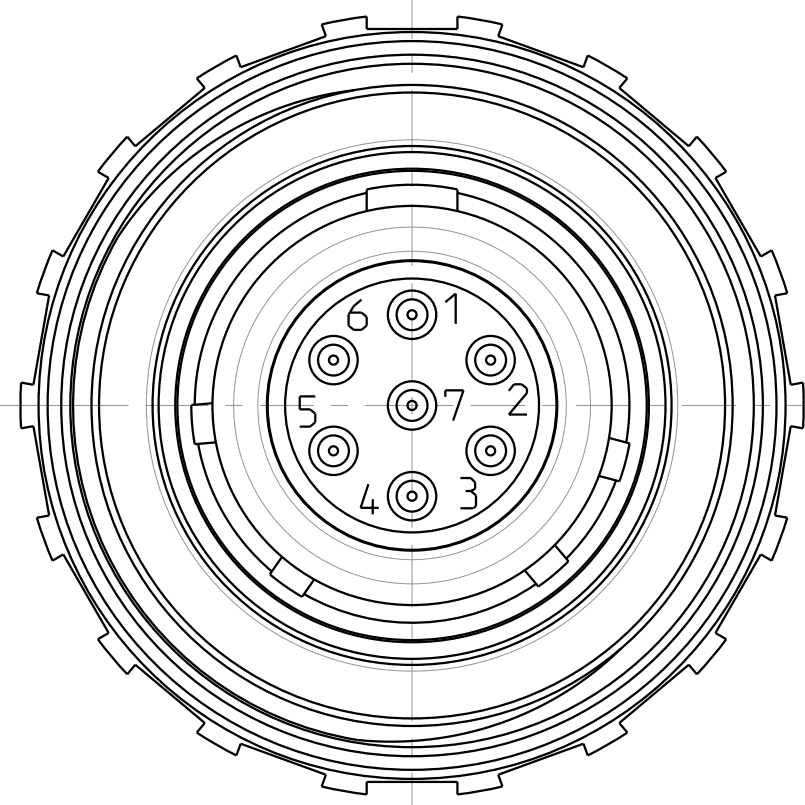


Country	Jurisdiction & Control List
FR	NOT LISTED

	critical dimension
	major dimension



**MARQUAGE/MARKING**

\*\*\*\* JUPITER FR FED10PL  
 SEMAINE/WEEK  
 ANNEE/YEAR

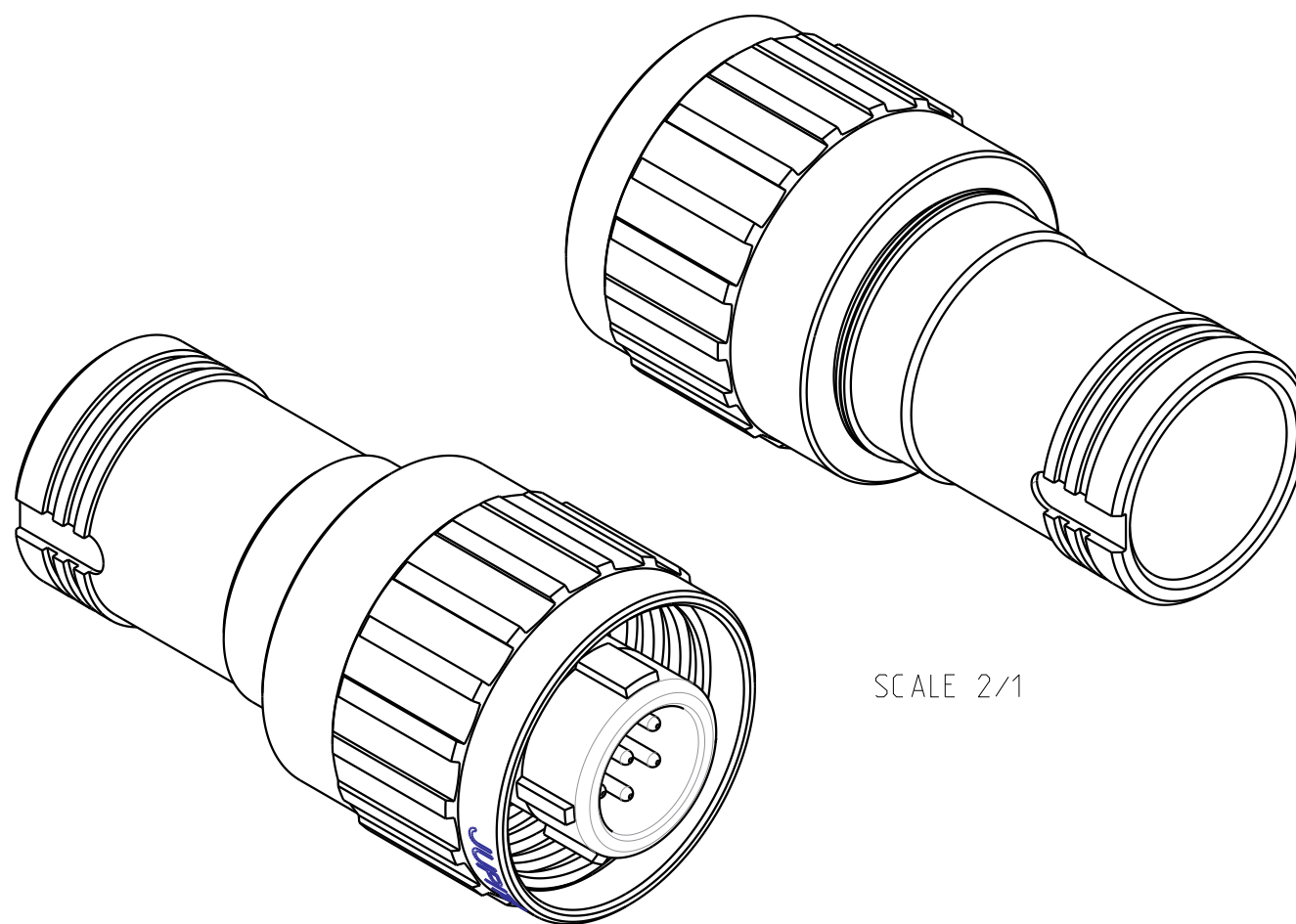
**REFERENCE COMMERCIALE  
 PART NUMBER**

FEDM10PLN0720SAY

TYPE DE CONTACT/CONTACT TYPE  
 M:MALE/PIN F:FEMELLE/SOCKET

MATIERE DE L'ISOLANT/INSERT MATERIAL  
 N:PA6/6+MOS2(NYLATRON) T:PTFE(TEFLON)

ARRANGEMENT DES CONTACTS/CONTACT LAYOUTS  
 VOIR ST1-PL54-0001/SEE ST1-PL54-0001



SCALE 2/1

A	11/07/16	Initial drawing			ORAIN	MEFFRE	DIFF
Iss	Date	MODIFICATIONS	A C	Designed by	Checked by	MOD N°	
			Naf.				
MATERIAL --			TREATMENT		PROTECTION/PLATING		
--			--		--		
--			--		CODE --		
DIMENSIONS ARE DEFINED BEFORE PLATING							
TITLE		FICHE DROITE FED SA / STRAIGHT PLUG FED SA TYPE				PROJECT	
		SERIE PL - TAILLE 10				PL54	
Material Reference Voir Référence Commerciale / See Part Number							
Generales tolerances ISO 2768			<p><b>SOURIAU</b>                  3. RUE DU VALLON ZAC N°2                  94440 MAROLLES-EN-BRIE (FRANCE)                  TEL. 33 (0)1 45 10 78 00</p>				
Scale 4/1	General machining Surface texture						
Geometrical Tolerances: NF EN ISO 1101			FORMAT	SOURIAU DRG N°		Iss	SHEET
This document is the property of SOURIAU it must not be reproduced or communicated without permission.			A2	542F0130A9C		A	1/1