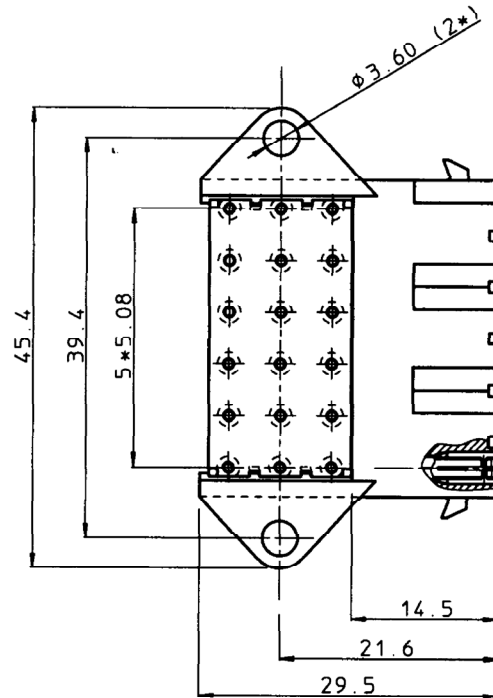
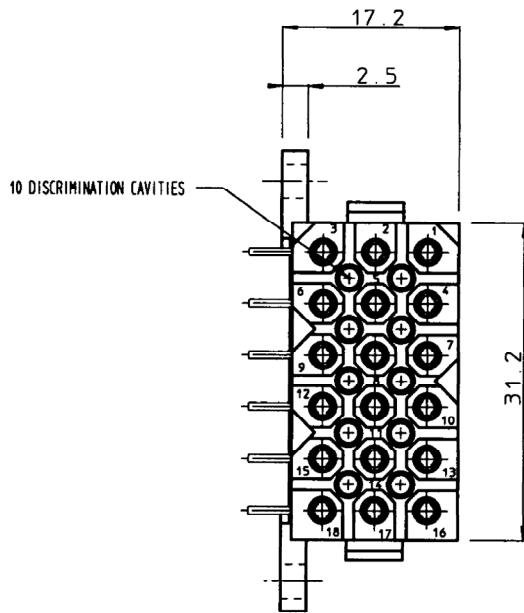
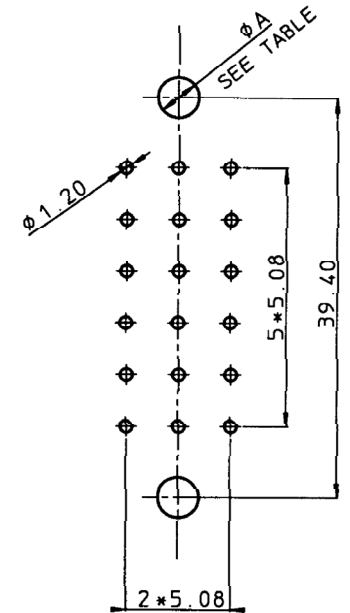


BS.C .201927.022.0A

|          |    |    |    |    |    |    |    |    |    |    |    |    |    |    |      |      |             |    |        |    |    |    |    |    |    |    |    |    |    |    |    |  |  |  |  |  |
|----------|----|----|----|----|----|----|----|----|----|----|----|----|----|----|------|------|-------------|----|--------|----|----|----|----|----|----|----|----|----|----|----|----|--|--|--|--|--|
| GEN. ST. | 01 | 02 | 03 | 04 | 05 | 06 | 07 | 08 | 0D | 50 | 60 | 70 | 80 | 90 | REV. | DATE | DESCRIPTION | BY | C'K'D' |    |    |    |    |    |    |    |    |    |    |    |    |  |  |  |  |  |
| INT. ST. | 10 | 11 | 12 | 13 | 14 | 18 | 20 | 31 | 32 | 33 | 34 | 38 | 39 | 40 | 42   | 43   | 44          | 45 | 46     | 48 | 56 | 70 | 72 | 73 | 75 | 76 | 81 | 82 | 83 | 84 | 86 |  |  |  |  |  |

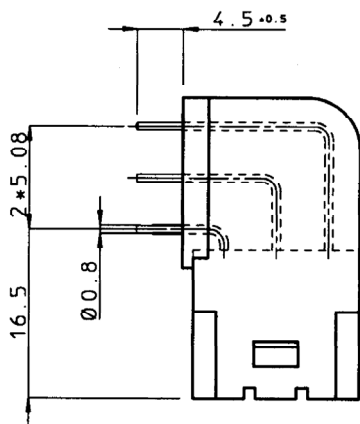


RECOMMENDED P.C. BOARD HOLE LAYOUT



| DIAMETER SCREW OR RIVET | ØA  |
|-------------------------|-----|
| 3 MM                    | 3.5 |
| 3.5 MM                  | 4.0 |

TERMINATION IN P.C. BOARD HOLE SCALE 10:1



**MATERIAL :**

BODY : POLYESTER 30% GLASSFILLED , UL94V-0, COLOUR : BLACK  
 CONTACTS : STAMPED AND FORMED HIGH CONDUCTIVE COPPER ALLOY  
 PLATING : J9 = NICKEL ALL OVER, GOLD FLASH IN CONTACT AREA  
 TIN/LEAD ON TERMINATION.  
 K9 = GOLD IN CONTACT AREA 0.4µ MIN., TIN/LEAD ON TERMINATION.  
 T = TIN ALL OVER

**PERFORMANCE CHARACTERISTICS :**

OPERATING TEMPERATURE : -55°C TO 125°C  
 INSULATING RESISTANCE : 5000 MΩ MIN.  
 TEST POTENTIAL : 2000 VAC  
 CURRENT RATING : 5 AMP  
 CONTACT RESISTANCE : 6 mΩ MAX.

**NOTES :**

- CONNECTOR SUPPLIED FULLY LOADED WITH STAMPED AND FORMED CONTACTS.
- MATING PARTS : SMS18P1 (WITHOUT CABLE HOOD AND WITHOUT DISCR. CAVITIES)  
 SMS18PDH1 (WITH INTEGRATED CABLE HOOD AND DISCR. CAVITIES)
- DISCRIMINATION WITH PINS (SMSPK3 PER BS.C .201424.003) IS GUARANTEED WITHOUT LOSS OF CONTACT POSITIONS.
- CONNECTOR TO BE USED FOR SOLDER APPLICATIONS WITH PC-BOARD THICKNESS 2.4 MM.

**RELEASED FOR PRODUCTION**

|   |   |                  |                        |  |
|---|---|------------------|------------------------|--|
| 1DEC ±0.2 1DEC<br>2DEC ±0.1 2DEC<br>ANGLES ±1° HOEKEN                           | APPR.<br>DRAFT<br>CHECKED                   | DATE<br>18-09-96 | SIGN.<br>S. Van Dessel | FEMALE QIKMATE RIGHT ANGLE 18 POS.<br>CAT. No. SMS18SE5* |
| WE RESERVE THE RIGHT TO CHANGE DIMENSIONS OR REQUIREMENTS WITHOUT PRIOR NOTICE. | PROD. MGR.<br>PR. ENG MGR.<br>PR. MGT. MGR. |                  |                        | SOURIAU<br>Route Nationale 23<br>72470 CHAMPAGNE         |
| ALL DIMENSIONS IN MM  | REFERENCES / REFERENTIES                    |                  |                        | SCALE<br>2/1   |
| ALLE AFMETINGEN IN MM   |   |                  |                        | BS.C .201927.022.0A<br>DRAWING No. CUSTOMER DRAWING      |

THIS IS OUR EXCLUSIVE PROPERTY. IT IS NOT TO BE COPIED, REPRINTED OR DISCLOSED TO A THIRD PARTY, NOR USED FOR MANUFACTURING WITHOUT OUR WRITTEN CONSENT, AND HAS TO BE RETURNED TO US IN CASE OF NO USAGE.

DIT IS ONZE EIGENDOM EN HEEFT NIET ANDERZINS. VERBODEN OVERNEMING AAN DERDEN. NIET VOOR FABRICATIE GEBRUIKT WORDEN, ZONDER ONZE SCHRIFTELIJKE TOELATING. BIJ NIET GEBRUIK IS TERUGZENDING VERPLICHT.

NOT EXPORT CONTROLLED