

|          |                           |
|----------|---------------------------|
| MASS (g) | VOLUME (mm <sup>3</sup> ) |
| 7.7      | 1320                      |

**ELECTRICAL:**

EMI SHIELDING : SHIELDED FOR THE RANGE 55dB UP TO 100MHZ

INSULATION RESISTANCE : >500MΩ PER ANSI-EIA-364-D METHOD 21

MAX. CURRENT RATING : SEE INSULATOR DRAWING

CONNECTOR TESTING VOLTAGE : SEE INSULATOR DRAWING

CONNECTOR WORKING VOLTAGE : SEE INSULATOR DRAWING

**ENVIRONMENTAL:**

ENDURANCE: 1000 CYCLES AS PER MIL-STD 1344A, METHOD 2016.1

SHOCK: 50 g . DURATION 6 ms; AS PER MIL-STD 1344A, METHOD 2004.1

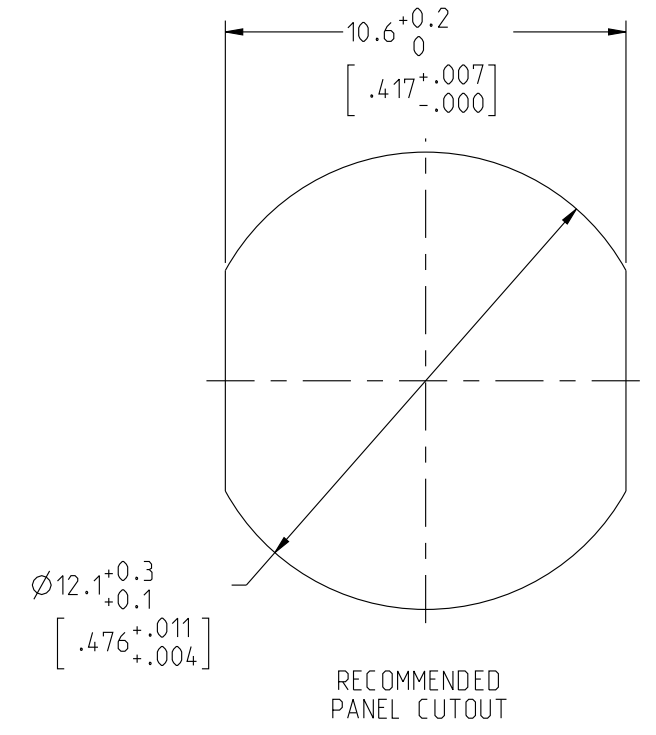
VIBRATIONS: 10 TO 2000Hz g = 15g, AS PER MIL-STD 1344A, METHOD 2005.1

PROTECTION INDEX: IP 40 AS PER CEI 529

ROHS COMPLIANT

SALT MIST : 48Hr PER SAE AS 1344 METHOD 1001.1 CEI 529

**OPERATING TEMPERATURE:** -55°C TO +125°C (-67°F TO +257°F)



RECOMMENDED PANEL CUTOUT

**NOTES:**

1 RED BAND

**MATERIAL:**

OUTER SHELL : } BRASS

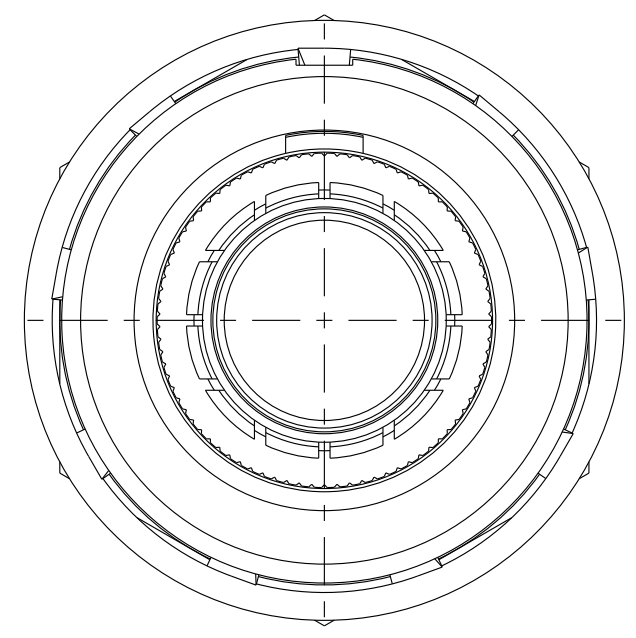
SHIELD RING & NUT: }

**FINISH:**

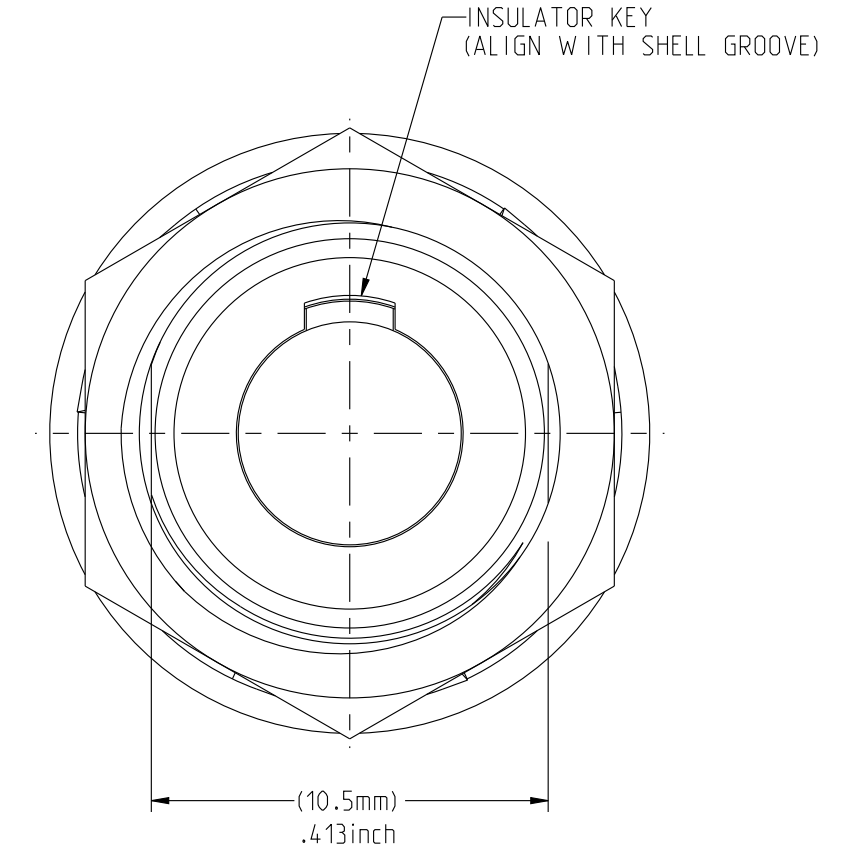
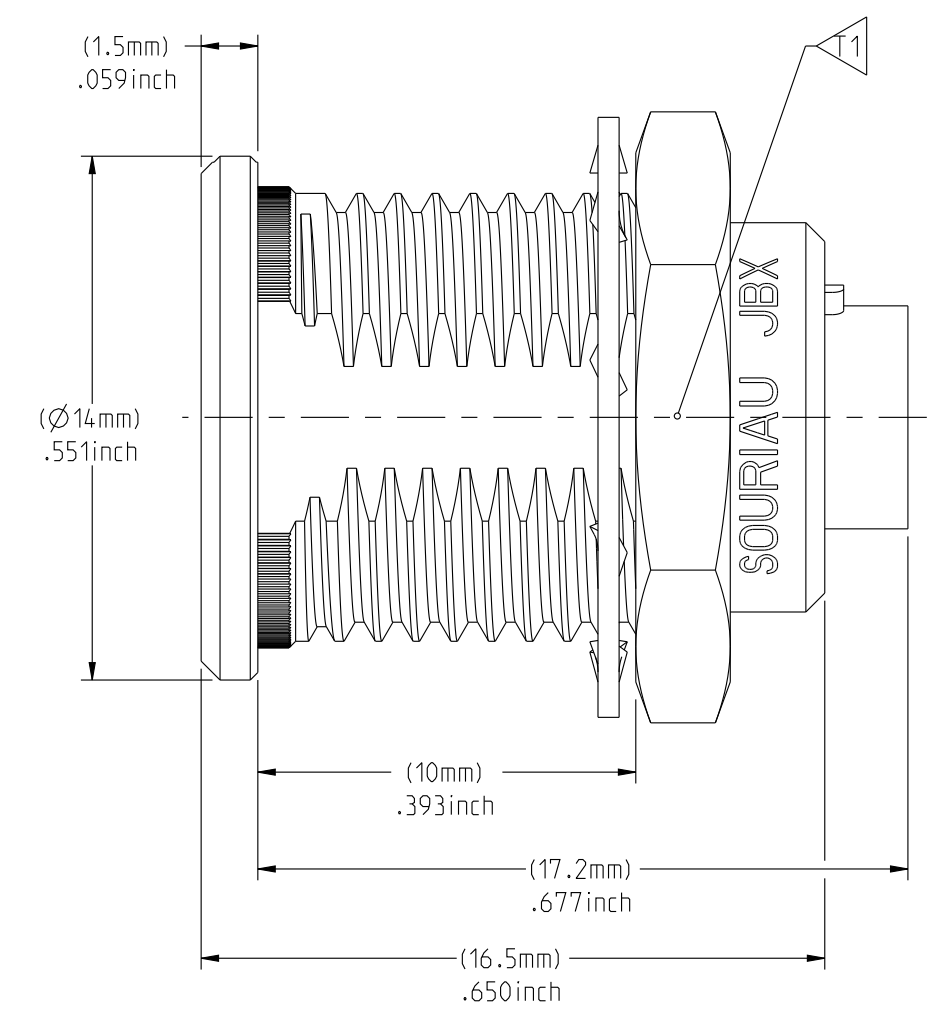
OUTER SHELL: CHROME

OTHER BRASS PARTS : NICKEL

T TOOLS



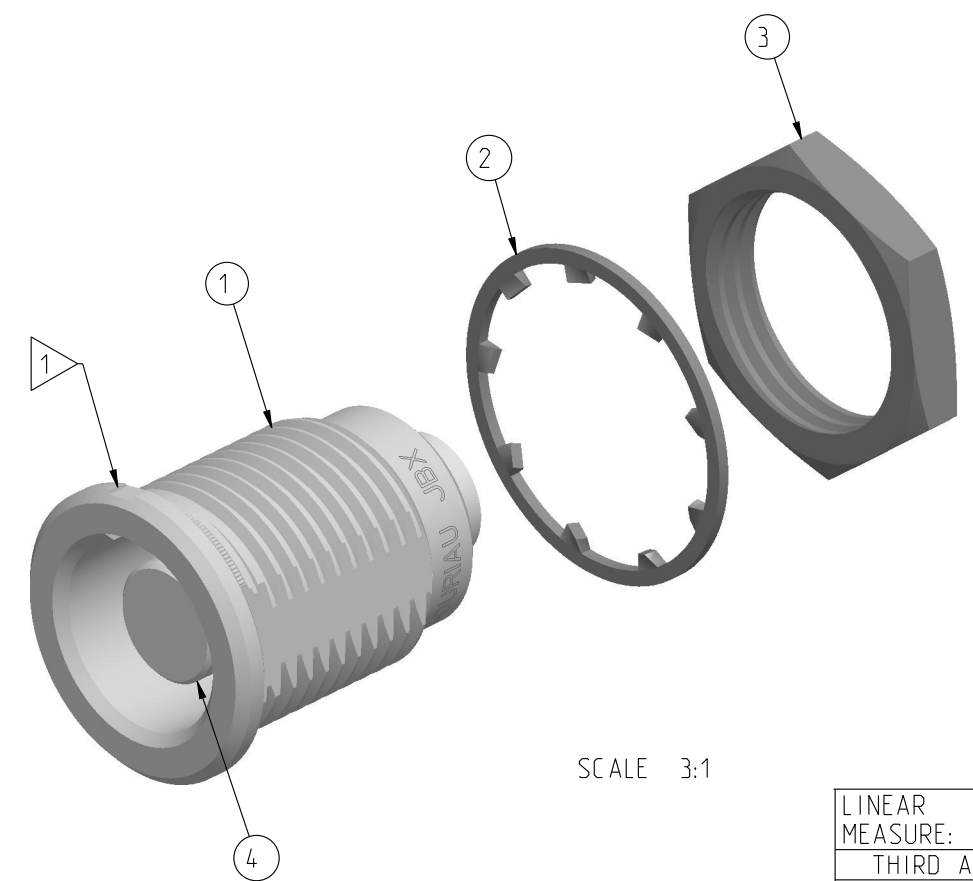
MATING SIDE VIEW



WIRE SIDE VIEW

| PART LIST |             |
|-----------|-------------|
| ITEM NO.  | DESCRIPTION |
| 1         | SHELL       |
| 2         | LOCK WASHER |
| 3         | HEX NUT     |
| 4         | INSULATOR   |

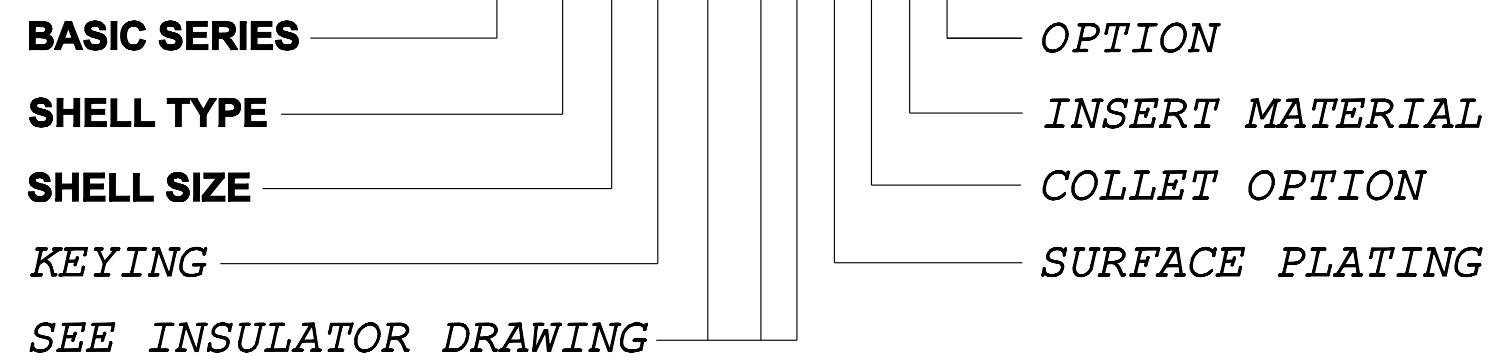
|    | TOOLS (JAW DIMENSION) | ADVISED TORQUE IN Nm |
|----|-----------------------|----------------------|
| T1 | 14                    | 1.3                  |



SCALE 3:1

CATALOG NUMBER DESCRIPTION

JBX ER 1 XXXXXDXR



SEE INSULATOR DRAWING

| ORIGIN | COUNTRY | JURISDICTION | CLASSIFICATION |
|--------|---------|--------------|----------------|
| X      | FR      | Not listed   | N/A            |
|        | US      | EAR          | ECCN #EAR99    |

|                                       |              |
|---------------------------------------|--------------|
| LINEAR MEASURE:                       | mm (INCH)    |
| THIRD ANGLE PROJECTION                |              |
| TOLERANCES UNLESS OTHERWISE SPECIFIED |              |
| No. OF PLACES                         | mm [INCH]    |
| WHOLE No.                             | ±0.5 [±.02]  |
| ONE PLACE                             | ±0.2 [±.008] |
| TWO PLACES                            | ±0.1 [±.004] |
| ANGLES ±1°                            |              |

**DRAWING TITLE**  
JBX, SIZE 1, FRONT PANEL MOUNTING RECEPTACLE

CAT NO. JBXER1

CAGE NO: 09922 SIZE: C

**CUSTOMER**

INTERPRET THIS DRAWING IN ACCORDANCE WITH ASME Y14.5M - 1994.

**SOURIAU**  
www.souriau.com

|          |                    |          |
|----------|--------------------|----------|
| APPROVAL | DRAWN: SKV         | 01-12-15 |
|          | CHKD : EV          | 01-12-15 |
|          | DSGN : EV          | 01-12-15 |
|          | MFG : DH           | 01-12-15 |
|          | QC : BB            | 01-12-15 |
|          | DRAWING SCALE: 5:1 |          |
|          | DRAWING NO.        | REV      |
|          | JBXERIC            | A        |

1 OF 1

THIS DRAWING IS A CONTROLLED DOCUMENT FOR SOURIAU USA, INC. IT IS SUBJECT TO CHANGE WITHOUT NOTIFICATION. CONTACT THE DOCUMENT CONTROL CENTER FOR THE LATEST REVISION.

C

B

THE INFORMATION CONTAINED IN THIS DRAWING IS CONFIDENTIAL AND MAY NOT BE DISCLOSED WITHOUT WRITTEN CONSENT FROM SOURIAU USA, INC.

D

C

B

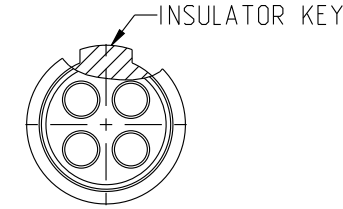
A

DWG. NO.  
JBX1INSFPC

**FEMALE INSULATOR, STRAIGHT PCB CONTACT**

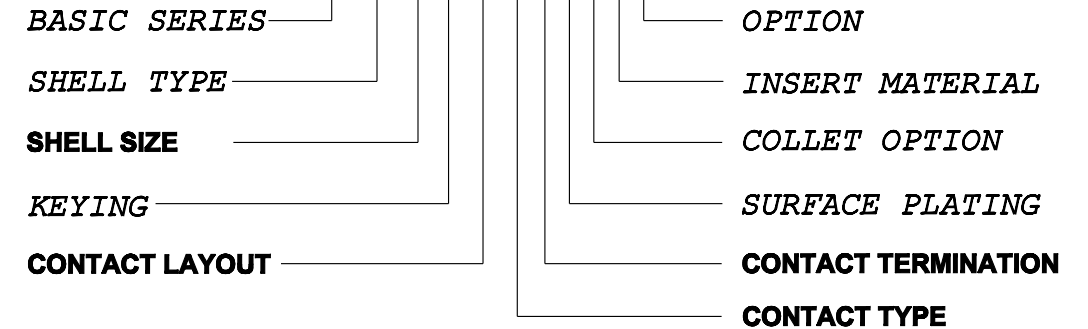
| CONTACT LAYOUT             | 02                      | 03      | 04      | 05      |
|----------------------------|-------------------------|---------|---------|---------|
| FRONT SIDE VIEW            |                         |         |         |         |
| REAR SIDE VIEW             |                         |         |         |         |
| CONTACT                    |                         |         |         |         |
| ISO VIEW                   |                         |         |         |         |
| CONTACT                    | ØC                      | 1.3     | 1.3     | 0.9     |
|                            | ØF                      | 0.7     | 0.7     | 0.7     |
|                            | MAX. AWG                | -       | -       | -       |
|                            | MAX. CURRENT RATING (A) | 15      | 15      | 10      |
| INSULATOR                  | CONTACT RESISTANCE (mΩ) | 3       | 3       | 3.5     |
|                            | NUMBER OF CAVITY        | 2       | 3       | 4       |
|                            | MAX. CURRENT RATING     | 15      | 12      | 10      |
|                            | TEST VOLTAGE (Vrms)     | 1600    | 1300    | 1900    |
| WORKING VOLTAGE (Vdc/Vrms) | 760/530                 | 600/420 | 900/630 | 660/460 |

**CONTACT TYPE :** F (FEMALE)  
**CONTACT TERMINATION :** P (PCB)  
**MATERIAL :**  
 CONTACT: CUPRO NICKEL  
 INSULATOR: PEEK  
**FINISH :**  
 CONTACTS: GOLD



**CATALOG NUMBER DESCRIPTION**

**JBXXX 1 X YY F P XXXX**



|     |                        |                 |                |
|-----|------------------------|-----------------|----------------|
| B   | REVISED PER ECN 12286  | RSK<br>06-10-15 | EV<br>06-10-15 |
| A   | RELEASED PER ECN 12264 | SKV<br>03-10-15 | EV<br>03-10-15 |
| REV | DESCRIPTION            | BY<br>DATE      | CHKD<br>DATE   |

DRAWING TITLE  
**JBX, SIZE 1, FEMALE INSULATOR, PCB CONTACT**

CAT NO. **JBX1INSFP**

CAGE NO: 09922      SIZE: B

|   |                        |          |                   |          |
|---|------------------------|----------|-------------------|----------|
| <b>CUSTOMER</b>   | <b>SOURIAU</b>         | APPROVAL | DRAWN: SKV        | 02-02-15 |
|   |                        |          | CHKD : EV         | 02-02-15 |
| INTERPRET THIS DRAWING IN ACCORDANCE WITH ASME Y14.5M - 1994. | <b>WWW.SOURIAU.COM</b> |          | DSGN : EV         | 02-02-15 |
|   |                        |          | MFG : DH          | 02-02-15 |
|   |                        |          | QC : BB           | 02-02-15 |
|   |                        |          | DRAWING SCALE: NA |          |
|   |                        |          | DRAWING NO.       | REV      |
|   |                        |          | JBX1INSFPC        | B        |
|   |                        |          | 1 OF 3            |          |

THIS DRAWING IS A CONTROLLED DOCUMENT FOR SOURIAU USA, INC. IT IS SUBJECT TO CHANGE WITHOUT NOTIFICATION. CONTACT THE DOCUMENT CONTROL CENTER FOR THE LATEST REVISION.

THE INFORMATION CONTAINED IN THIS DRAWING IS CONFIDENTIAL AND MAY NOT BE DISCLOSED WITHOUT WRITTEN CONSENT FROM SOURIAU USA, INC.

| ORIGIN | COUNTRY | JURISDICTION | CLASSIFICATION |
|--------|---------|--------------|----------------|
| X      | FR      | Not listed   | N/A            |
|        | US      | EAR          | ECCN =EAR99    |

These commodities, technology or software are exported from the United States in accordance with the Export Administration Regulations. Diversion contrary to U.S. law is prohibited

LINEAR MEASURE:  $\frac{mm}{INCH}$  mm (INCH)  
 THIRD ANGLE PROJECTION  
  
 TOLERANCES UNLESS OTHERWISE SPECIFIED  
 No. OF PLACES      mm [INCH]  
 ONE PLACE          ±3 [±.1]  
 TWO PLACES        ±0.5 [±.02]  
 THREE PLACES     ±0.25 [±.010]  
 ANGLES ±1°

B

A

DWG. NO.  
JBX1INSFPC

THIS DRAWING IS A CONTROLLED DOCUMENT FOR SOURIAU USA, INC. IT IS SUBJECT TO CHANGE WITHOUT NOTIFICATION. CONTACT THE DOCUMENT CONTROL CENTER FOR THE LATEST REVISION.

THE INFORMATION CONTAINED IN THIS DRAWING IS CONFIDENTIAL AND MAY NOT BE DISCLOSED WITHOUT WRITTEN CONSENT FROM SOURIAU USA, INC.

| CONTACT LAYOUT             | 06                      | 07      | 08      | 10      | 12      |     |
|----------------------------|-------------------------|---------|---------|---------|---------|-----|
| FRONT SIDE VIEW            |                         |         |         |         |         |     |
| REAR SIDE VIEW             |                         |         |         |         |         |     |
| CONTACT                    |                         |         |         |         |         |     |
| ISO VIEW                   |                         |         |         |         |         |     |
| CONTACT                    | ØC                      | 0.7     | 0.7     | 0.7     | 0.5     |     |
|                            | ØF                      | 0.5     | 0.5     | 0.5     | 0.5     |     |
|                            | MAX. AWG                | -       | -       | -       | -       |     |
|                            | MAX. CURRENT RATING (A) | 7       | 7       | 7       | 5       | 5   |
| INSULATOR                  | CONTACT RESISTANCE (mΩ) | 5       | 5       | 5       | 10      | 10  |
|                            | NUMBER OF CAVITY        | 6       | 7       | 8       | 10      | 12  |
|                            | MAX. CURRENT RATING     | 7       | 7       | 5       | 2.5     | 2.5 |
|                            | TEST VOLTAGE (Vrms)     | 1400    | 1400    | 1200    | 600     | 500 |
| WORKING VOLTAGE (Vdc/Vrms) | 660/460                 | 660/460 | 600/420 | 300/200 | 170/120 |     |

B

A

DRAWING TITLE  
**JBX, SIZE 1, FEMALE INSULATOR, PCB CONTACT**

CAT NO. **JBX1INSFP**

CAGE NO: 09922      SIZE: B

|   |                        |                    |                     |
|---|------------------------|--------------------|---------------------|
| <b>CUSTOMER</b>   | <b>SOURIAU</b>         | APPROVAL           | DRAWN: SKV 02-02-15 |
|   |                        | CHKD : EV 02-02-15 |                     |
| INTERPRET THIS DRAWING IN ACCORDANCE WITH ASME Y14.5M - 1994. | <b>WWW.SOURIAU.COM</b> | DSGN : EV 02-02-15 | DRAWING SCALE: NA   |
|   |                        | MFG : DH 02-02-15  | DRAWING NO. REV     |
|   |                        | QC : BB 02-02-15   | JBX1INSFPC B        |
|   |                        |                    | 2 OF 3              |

| ORIGIN | COUNTRY | JURISDICTION | CLASSIFICATION |
|--------|---------|--------------|----------------|
| X      | FR      | Not listed   | N/A            |
|        | US      | EAR          | ECCN =EAR99    |

These commodities, technology or software are exported from the United States in accordance with the Export Administration Regulations. Diversion contrary to U.S. law is prohibited.

LINEAR MEASURE:  $\frac{mm}{INCH}$  mm (INCH)

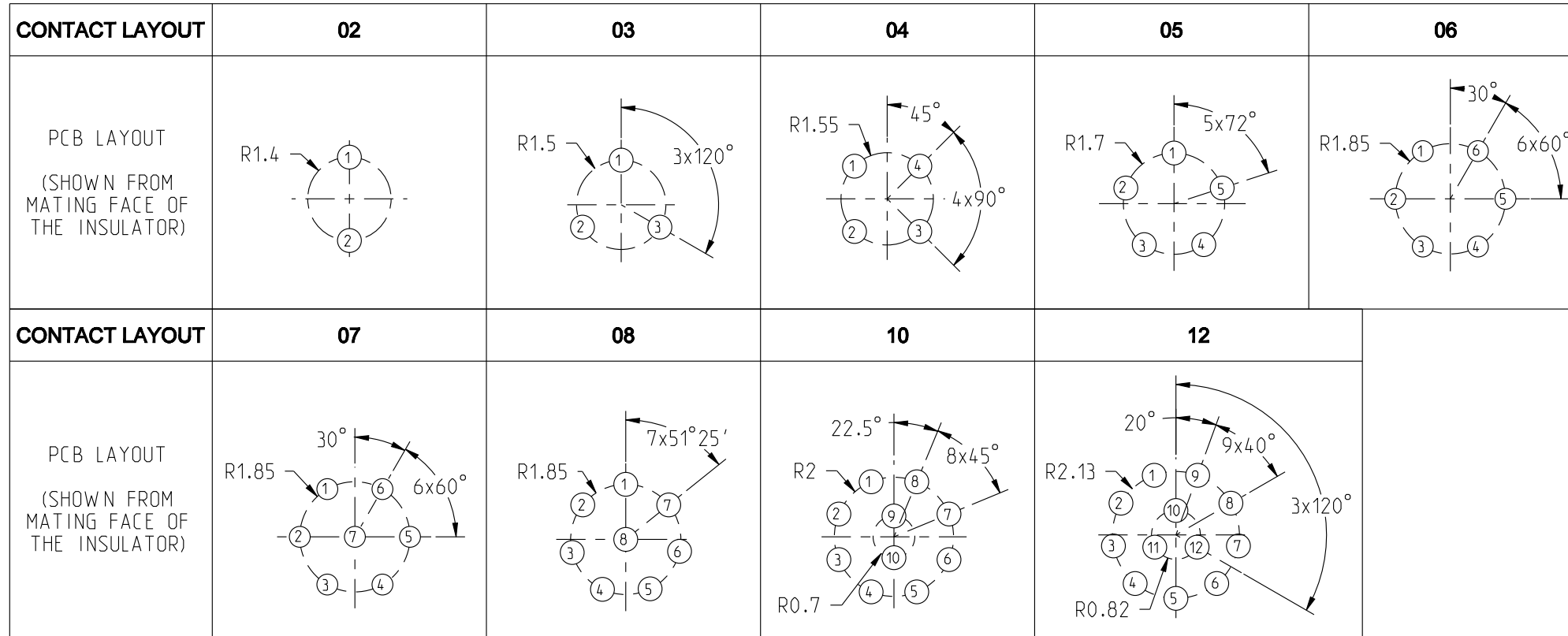
THIRD ANGLE PROJECTION

TOLERANCES UNLESS OTHERWISE SPECIFIED

| No. OF PLACES | mm [INCH]     |
|---------------|---------------|
| ONE PLACE     | ±3 [±.1]      |
| TWO PLACES    | ±0.5 [±.02]   |
| THREE PLACES  | ±0.25 [±.010] |

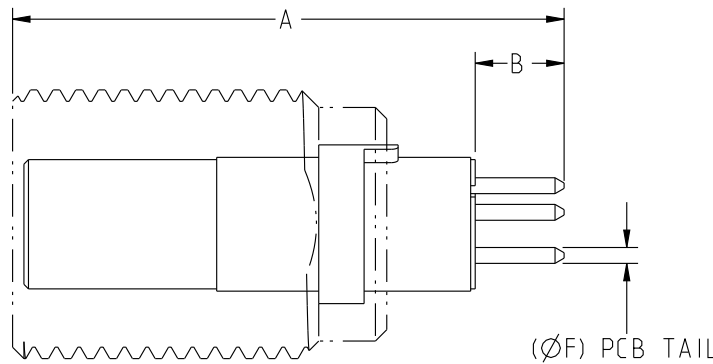
ANGLES ±1°

DWG. NO.  
JBX11NSFPC



1. ALL DIMENSIONS ARE  $\pm 0.05$   
2. SEE TABLE FOR RECOMMENDED FINISHED PCB HOLE SIZE.

| CONTACT PCB TAIL SIZE DIA | FINISHED PCB HOLE SIZE DIA |
|---------------------------|----------------------------|
| 0.5                       | 0.75                       |
| 0.7                       | 0.95                       |



SAMPLE ASSEMBLY FOR INFORMATION

| LAYOUT | 02 | 03 | 04 | 05   | 06 | 07 | 08 | 10   | 12 |
|--------|----|----|----|------|----|----|----|------|----|
| A      |    |    |    | 24.3 |    |    |    | 24.0 |    |
| B      |    |    |    | 3.9  |    |    |    | 5.1  |    |

| ORIGIN | COUNTRY | JURISDICTION | CLASSIFICATION |
|--------|---------|--------------|----------------|
| X      | FR      | Not listed   | N/A            |
|        | US      | EAR          | ECCN =EAR99    |

These commodities, technology or software are exported from the United States in accordance with the Export Administration Regulations. Diversion contrary to U.S. law is prohibited

LINEAR MEASURE:  $\frac{mm}{INCH}$  mm (INCH)

THIRD ANGLE PROJECTION

TOLERANCES UNLESS OTHERWISE SPECIFIED

| No. OF PLACES | mm [INCH]             |
|---------------|-----------------------|
| ONE PLACE     | $\pm 3 [\pm .1]$      |
| TWO PLACES    | $\pm 0.5 [\pm .02]$   |
| THREE PLACES  | $\pm 0.25 [\pm .010]$ |

ANGLES  $\pm 1^\circ$

|  |  |          |     |          |        |    |          |        |    |          |       |    |          |      |    |
|--|--|----------|-----|----------|--------|----|----------|--------|----|----------|-------|----|----------|------|----|
| DRAWING TITLE<br><b>JBX, SIZE 1, FEMALE INSULATOR, PCB CONTACT</b> |  |          |     |          |        |    |          |        |    |          |       |    |          |      |    |
| CAT NO.<br><b>JBX11NSFP</b>  |  |          |     |          |        |    |          |        |    |          |       |    |          |      |    |
| CAGE NO: 09922   | SIZE: B  |          |     |          |        |    |          |        |    |          |       |    |          |      |    |
| <b>CUSTOMER</b>  | APPROVAL   |          |     |          |        |    |          |        |    |          |       |    |          |      |    |
|  | <table border="1"> <tr><td>DRAWN:</td><td>SKV</td><td>02-02-15</td></tr> <tr><td>CHKD :</td><td>EV</td><td>02-02-15</td></tr> <tr><td>DSGN :</td><td>EV</td><td>02-02-15</td></tr> <tr><td>MFG :</td><td>DH</td><td>02-02-15</td></tr> <tr><td>QC :</td><td>BB</td><td>02-02-15</td></tr> </table> | DRAWN:   | SKV | 02-02-15 | CHKD : | EV | 02-02-15 | DSGN : | EV | 02-02-15 | MFG : | DH | 02-02-15 | QC : | BB |
| DRAWN:   | SKV  | 02-02-15 |     |          |        |    |          |        |    |          |       |    |          |      |    |
| CHKD :   | EV   | 02-02-15 |     |          |        |    |          |        |    |          |       |    |          |      |    |
| DSGN :   | EV   | 02-02-15 |     |          |        |    |          |        |    |          |       |    |          |      |    |
| MFG :  | DH   | 02-02-15 |     |          |        |    |          |        |    |          |       |    |          |      |    |
| QC :   | BB   | 02-02-15 |     |          |        |    |          |        |    |          |       |    |          |      |    |
| INTERPRET THIS DRAWING IN ACCORDANCE WITH ASME Y14.5M - 1994.      | DRAWING SCALE: NA  |          |     |          |        |    |          |        |    |          |       |    |          |      |    |
|  | DRAWING NO. REV  |          |     |          |        |    |          |        |    |          |       |    |          |      |    |
| <b>WWW.SOURIAU.COM</b>   | JBX11NSFPC B   |          |     |          |        |    |          |        |    |          |       |    |          |      |    |
|  | 3 OF 3   |          |     |          |        |    |          |        |    |          |       |    |          |      |    |

THIS DRAWING IS A CONTROLLED DOCUMENT FOR SOURIAU USA, INC. IT IS SUBJECT TO CHANGE WITHOUT NOTIFICATION. CONTACT THE DOCUMENT CONTROL CENTER FOR THE LATEST REVISION.

THE INFORMATION CONTAINED IN THIS DRAWING IS CONFIDENTIAL AND MAY NOT BE DISCLOSED WITHOUT WRITTEN CONSENT FROM SOURIAU USA, INC.

B

A