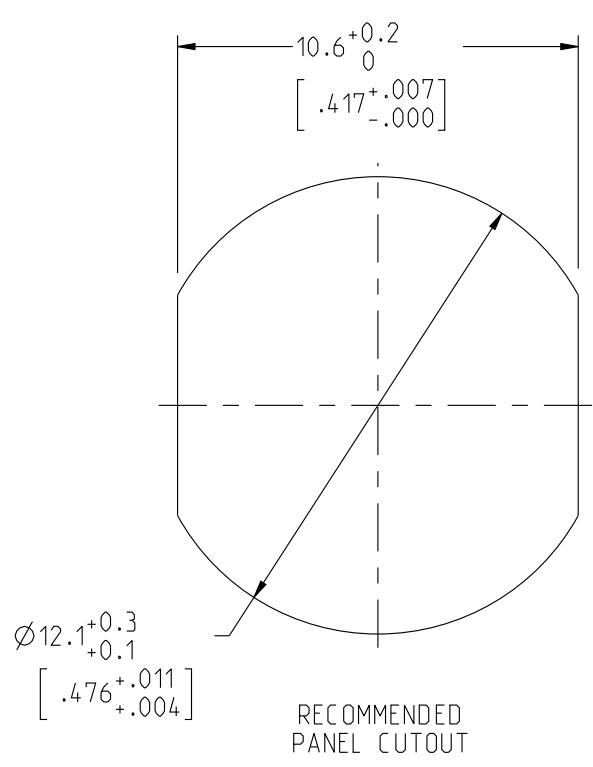


**JBXE1C**

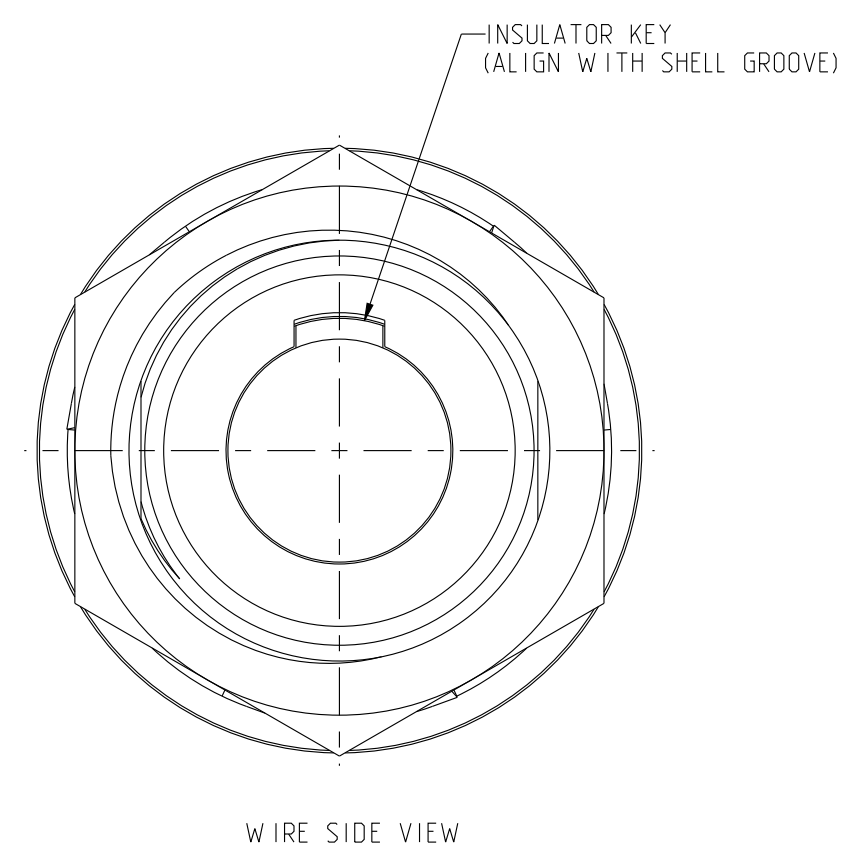
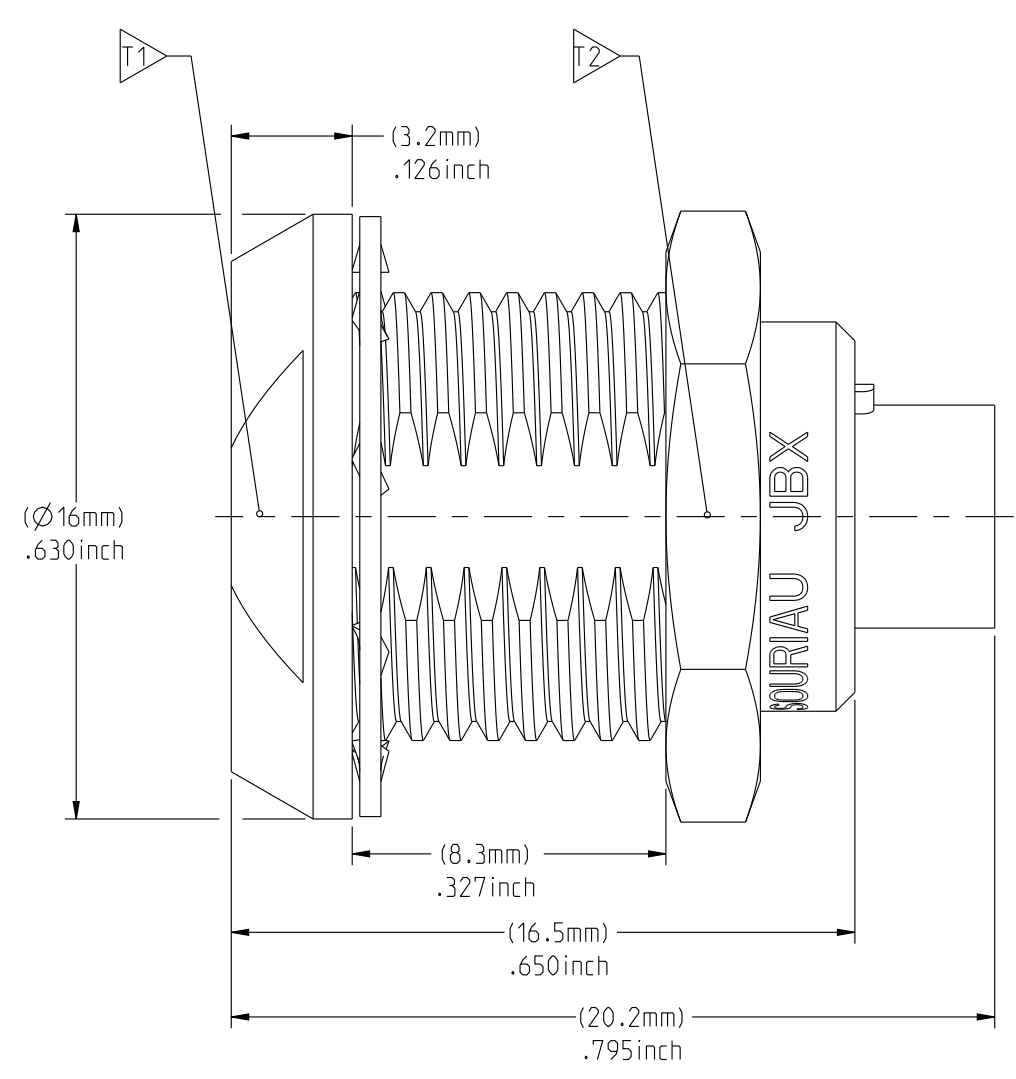
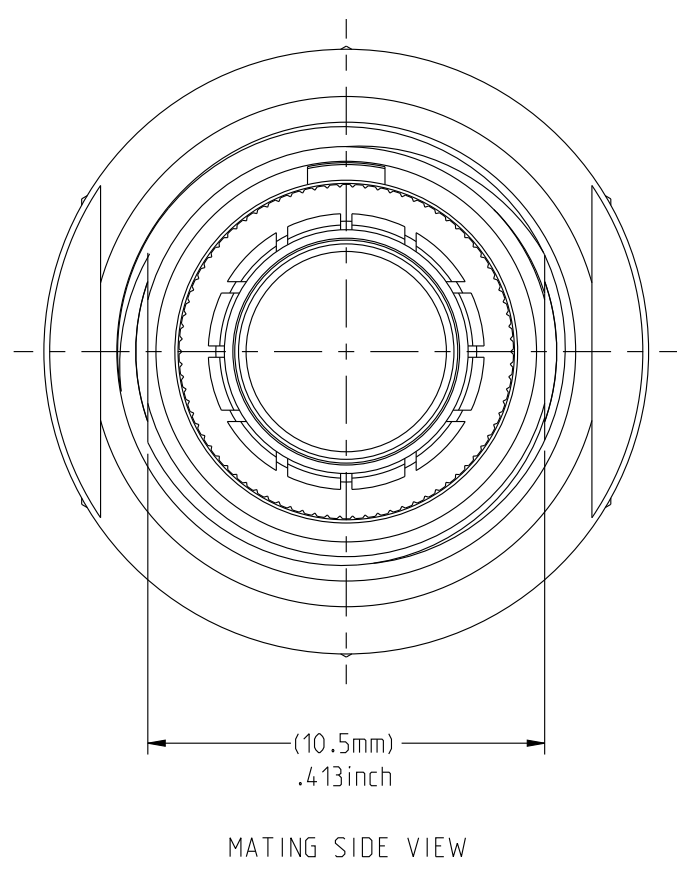
MASS (g)	VOLUME (mm <sup>3</sup> )
8.9	1531

**ELECTRICAL :**  
 EMI SHIELDING : SHIELDED FOR THE RANGE 55dB UP TO 100MHz  
 INSULATION RESISTANCE : >500MΩ PER ANSI-EIA-364-D METHOD 21  
 MAX. CURRENT RATING : SEE INSULATOR DRAWING  
 CONNECTOR TESTING : SEE INSULATOR DRAWING  
 VOLTAGE  
 CONNECTOR WORKING : SEE INSULATOR DRAWING  
 VOLTAGE

**ENVIRONMENTAL :**  
 ENDURANCE: 1000 CYCLES AS PER MIL-STD 1344A, METHOD 2016.1  
 SHOCK: 50 g , DURATION 6 ms; AS PER MIL-STD 1344A, METHOD 2004.1  
 VIBRATIONS: 10 TO 2000Hz g = 20g, AS PER MIL-STD 1344A, METHOD 2005.1  
 PROTECTION INDEX: IP 40 AS PER IEC 529  
 ROHS COMPLIANT  
 SALT MIST : 48hr PER SAE AS 1344 METHOD 1001.1 CEI 529  
 OPERATING TEMPERATURE: -55°C TO +125°C (-67°F TO +257°F)



**NOTES:**  
**MATERIAL:**  
 OUTER SHELL & PANEL NUT : BRASS  
 SHIELD RING & NUT :  
**FINISH:**  
 OUTER SHELL & PANEL NUT : CHROME  
 OTHER BRASS PARTS : NICKEL  
**TOOLS**



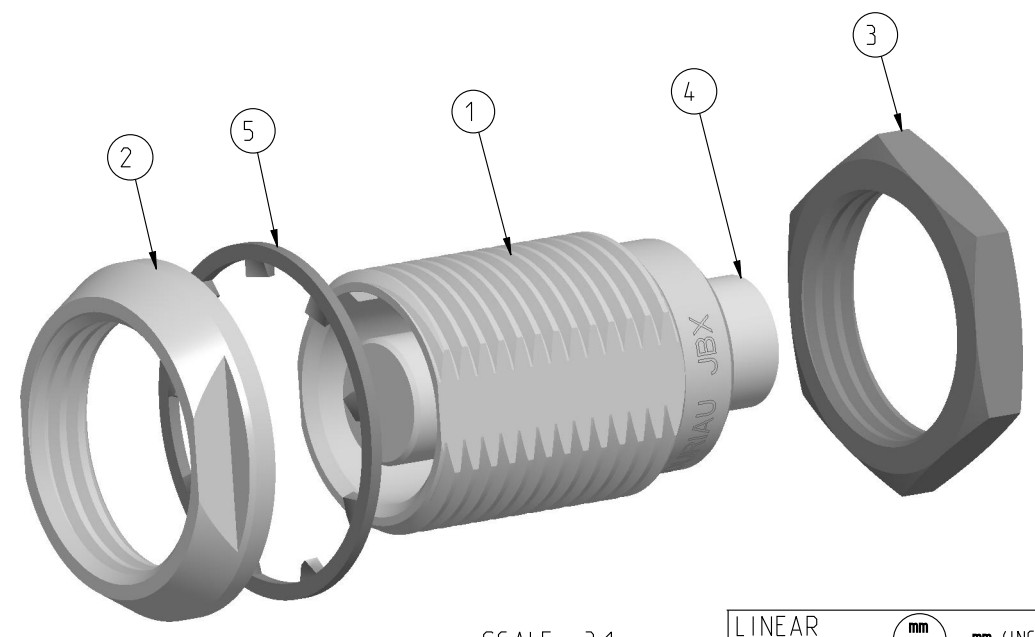
PART LIST	
ITEM NO.	DESCRIPTION
1	SHELL
2	PANEL NUT
3	HEX NUT
4	INSULATOR
5	LOCK WASHER

	TOOLS (JAW DIMENSION)	ADVISED TORQUE IN Nm
T1	13	1.3
T2	14	1.3

**CATALOG NUMBER DESCRIPTION**

**JBX EA 1 XXXXXDX -**

**BASIC SERIES** \_\_\_\_\_ **OPTION**  
**SHELL TYPE** \_\_\_\_\_ **INSERT MATERIAL**  
**SHELL SIZE** \_\_\_\_\_ **COLLET OPTION**  
**KEYING** \_\_\_\_\_ **SURFACE PLATING**  
**SEE INSULATOR DRAWING**



SCALE 3:1

ORIGIN	COUNTRY	JURISDICTION	CLASSIFICATION
X	FR	Not listed	N/A
	US	EAR	ECCN =EAR99

LINEAR MEASURE: mm (INCH)

THIRD ANGLE PROJECTION

TOLERANCES UNLESS OTHERWISE SPECIFIED

No. OF PLACES	mm [INCH]
WHOLE No.	±0.5 [±.02]
ONE PLACE	±0.2 [±.008]
TWO PLACES	±0.1 [±.004]

ANGLES ±1°

**DRAWING TITLE**  
**JBX, SIZE 1, DOUBLE NUT RECEPTACLE**

CAT NO. **JBXE1C**

CAGE NO: 09922 SIZE: C

**CUSTOMER**

INTERPRET THIS DRAWING IN ACCORDANCE WITH ASME Y14.5M - 1994.

**SOURIAU**  
 WWW.SOURIAU.COM

APPROVAL  
 DRAWN: TJS 01-07-15  
 CHKD : EV 01-07-15  
 DSGN : EV 01-07-15  
 MFG : DH 01-07-15  
 QC : BB 01-07-15  
 DRAWING SCALE: 5:1  
 DRAWING NO. REV  
**JBXE1C** A

1 OF 1

THIS DRAWING IS A CONTROLLED DOCUMENT FOR SOURIAU USA, INC. IT IS SUBJECT TO CHANGE WITHOUT NOTIFICATION. CONTACT THE DOCUMENT CONTROL CENTER FOR THE LATEST REVISION.

C B

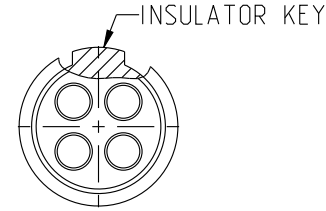
D C B A

DWG. NO.  
JBX11NSMCC

**MALE INSULATOR, CRIMP CONTACT**

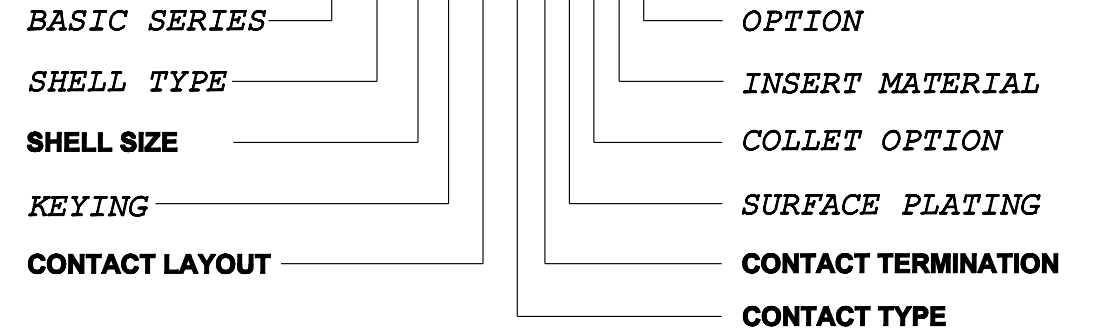
CONTACT LAYOUT	02	03	04	05
FRONT SIDE VIEW				
REAR SIDE VIEW				
CONTACT				
ISO VIEW				
CONTACT	ØC	1.3	1.3	0.9
	ØF	1.4	1.4	1.1
	MAX. AWG	18	18	20
	MAX. CURRENT RATING (A)	15	15	10
INSULATOR	CONTACT RESISTANCE (mΩ)	3	3	3.5
	NUMBER OF CAVITY	2	3	4
	MAX. CURRENT RATING	15	12	10
	TEST VOLTAGE (Vrms)	1600	1300	1900
WORKING VOLTAGE (Vdc/Vrms)	760/530	600/420	900/630	660/460

**CONTACT TYPE :** M (MALE)  
**CONTACT TERMINATION :** C (CRIMP)  
**MATERIAL :**  
 CONTACT: BRASS  
 CLIP: COPPER ALLOY  
 INSULATOR: PEEK  
**FINISH:**  
 CONTACTS: GOLD



**CATALOG NUMBER DESCRIPTION**

**JBXXX 1 XYYM CXXXX**



B	REVISED PER ECN 12286	RSK 06-10-15	EV 06-10-15
A	RELEASED PER ECN 12264	SKV 03-10-15	EV 03-10-15
REV	DESCRIPTION	BY DATE	CHKD DATE

DRAWING TITLE  
**JBX, SIZE 1, MALE INSULATOR, CRIMP CONTACT**

CAT NO. **JBX11NSMC**

CAGE NO: 09922      SIZE: B

<b>CUSTOMER</b>	<b>SOURIAU</b>	APPROVAL	DRAWN: SKV 02-02-15
		CHKD : EV 02-02-15	
INTERPRET THIS DRAWING IN ACCORDANCE WITH ASME Y14.5M - 1994.	<b>WWW.SOURIAU.COM</b>	DSGN : EV 02-02-15	
		MFG : DH 02-02-15	
		QC : BB 02-02-15	
		DRAWING SCALE: NA	
		DRAWING NO.      REV	
		JBX11NSMCC      B	
		1 OF 2	

ORIGIN	COUNTRY	JURISDICTION	CLASSIFICATION
X	FR	Not listed	N/A
	US	EAR	ECCN =EAR99

These commodities, technology or software are exported from the United States in accordance with the Export Administration Regulations. Diversion contrary to U.S. law is prohibited

LINEAR MEASURE: mm (INCH) mm (INCH)  
 THIRD ANGLE PROJECTION   
 TOLERANCES UNLESS OTHERWISE SPECIFIED  
 No. OF PLACES      mm [INCH]  
 ONE PLACE      ±3 [±.1]  
 TWO PLACES      ±0.5 [±.02]  
 THREE PLACES      ±0.25 [±.010]  
 ANGLES ±1°

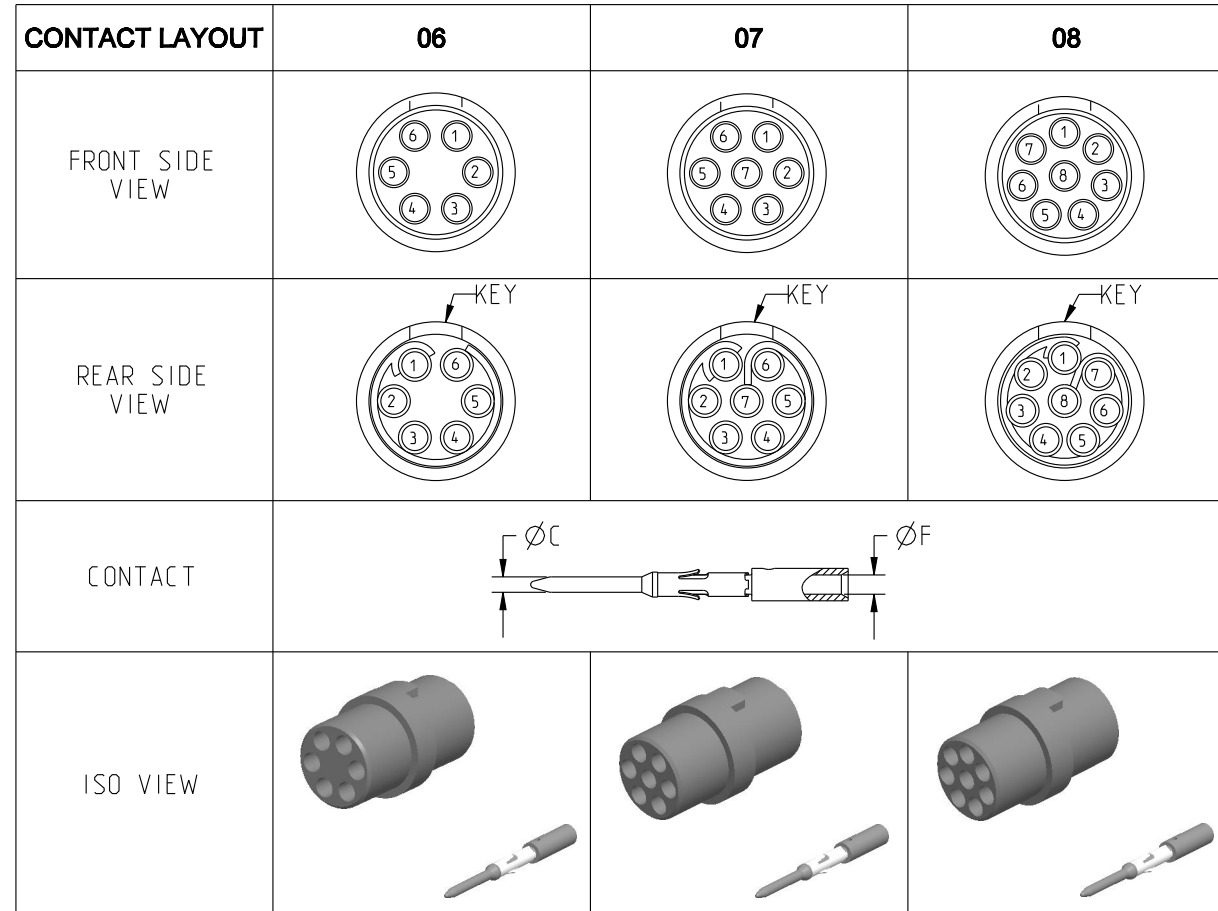
THIS DRAWING IS A CONTROLLED DOCUMENT FOR SOURIAU USA, INC. IT IS SUBJECT TO CHANGE WITHOUT NOTIFICATION. CONTACT THE DOCUMENT CONTROL CENTER FOR THE LATEST REVISION.

THE INFORMATION CONTAINED IN THIS DRAWING IS CONFIDENTIAL AND MAY NOT BE DISCLOSED WITHOUT WRITTEN CONSENT FROM SOURIAU USA, INC.

B

A

DWG. NO.  
JBX11NSMCC



CONTACT	ØC	0.7	0.7	0.7
	ØF	0.85	0.85	0.85
	MAX. AWG	22	22	22
	MAX. CURRENT RATING (A)	7	7	7
INSULATOR	CONTACT RESISTANCE (mΩ)	5	5	5
	NUMBER OF CAVITY	6	7	8
	MAX. CURRENT RATING	7	7	5
	TEST VOLTAGE (Vrms)	1400	1400	1200
	WORKING VOLTAGE (Vdc/Vrms)	660/460	660/460	600/420

THIS DRAWING IS A CONTROLLED DOCUMENT FOR SOURIAU USA, INC. IT IS SUBJECT TO CHANGE WITHOUT NOTIFICATION. CONTACT THE DOCUMENT CONTROL CENTER FOR THE LATEST REVISION.

THE INFORMATION CONTAINED IN THIS DRAWING IS CONFIDENTIAL AND MAY NOT BE DISCLOSED WITHOUT WRITTEN CONSENT FROM SOURIAU USA, INC.

B

A

LINEAR MEASURE:		$\frac{mm}{INCH}$ mm (INCH)
THIRD ANGLE PROJECTION		
TOLERANCES UNLESS OTHERWISE SPECIFIED		
No. OF PLACES	mm [INCH]	
ONE PLACE	±3 [±.1]	
TWO PLACES	±0.5 [±.02]	
THREE PLACES	±0.25 [±.010]	
ANGLES ±1°		

ORIGIN	COUNTRY	JURISDICTION	CLASSIFICATION
X	FR	Not listed	N/A
	US	EAR	ECCN =EAR99

These commodities, technology or software are exported from the United States in accordance with the Export Administration Regulations. Diversion contrary to U.S. law is prohibited

DRAWING TITLE			
<b>JBX, SIZE 1, MALE INSULATOR, CRIMP CONTACT</b>			
CAT NO. <b>JBX11NSMC</b>			
CAGE NO: 09922		SIZE: B	
<b>CUSTOMER</b>		<b>SOURIAU</b>	
INTERPRET THIS DRAWING IN ACCORDANCE WITH ASME Y14.5M - 1994.		<b>WWW.SOURIAU.COM</b>	
APPROVAL	DRAWN: SKV	02-02-15	
	CHKD : EV	02-02-15	
	DSGN : EV	02-02-15	
	MFG : DH	02-02-15	
	QC : BB	02-02-15	
DRAWING SCALE: NA			
DRAWING NO. JBX11NSMCC		REV B	
2 OF 2			