

JBXE1C

| | |
|----------|---------------------------|
| MASS (g) | VOLUME (mm ³) |
| 8.9 | 1531 |

ELECTRICAL :

EMI SHIELDING : SHIELDED FOR THE RANGE 55dB UP TO 100MHz

INSULATION RESISTANCE : >500MΩ PER ANSI-EIA-364-D METHOD 21

MAX. CURRENT RATING : SEE INSULATOR DRAWING

CONNECTOR TESTING : SEE INSULATOR DRAWING
VOLTAGE

CONNECTOR WORKING : SEE INSULATOR DRAWING
VOLTAGE

ENVIRONMENTAL :

ENDURANCE: 1000 CYCLES AS PER MIL-STD 1344A, METHOD 2016.1

SHOCK: 50 g , DURATION 6 ms; AS PER MIL-STD 1344A, METHOD 2004.1

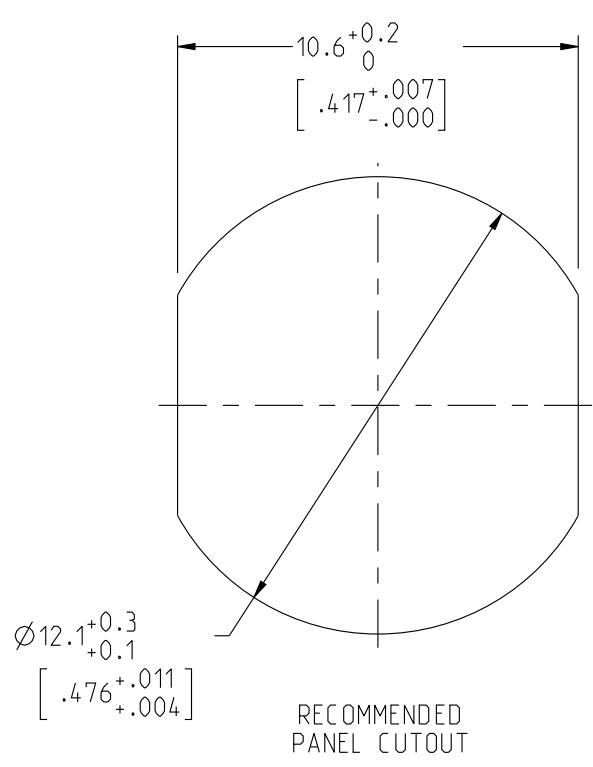
VIBRATIONS: 10 TO 2000Hz g = 20g, AS PER MIL-STD 1344A, METHOD 2005.1

PROTECTION INDEX: IP 40 AS PER IEC 529

ROHS COMPLIANT

SALT MIST : 48hr PER SAE AS 1344 METHOD 1001.1 CEI 529

OPERATING TEMPERATURE: -55°C TO +125°C (-67°F TO +257°F)



NOTES:

MATERIAL:

OUTER SHELL & PANEL NUT : BRASS

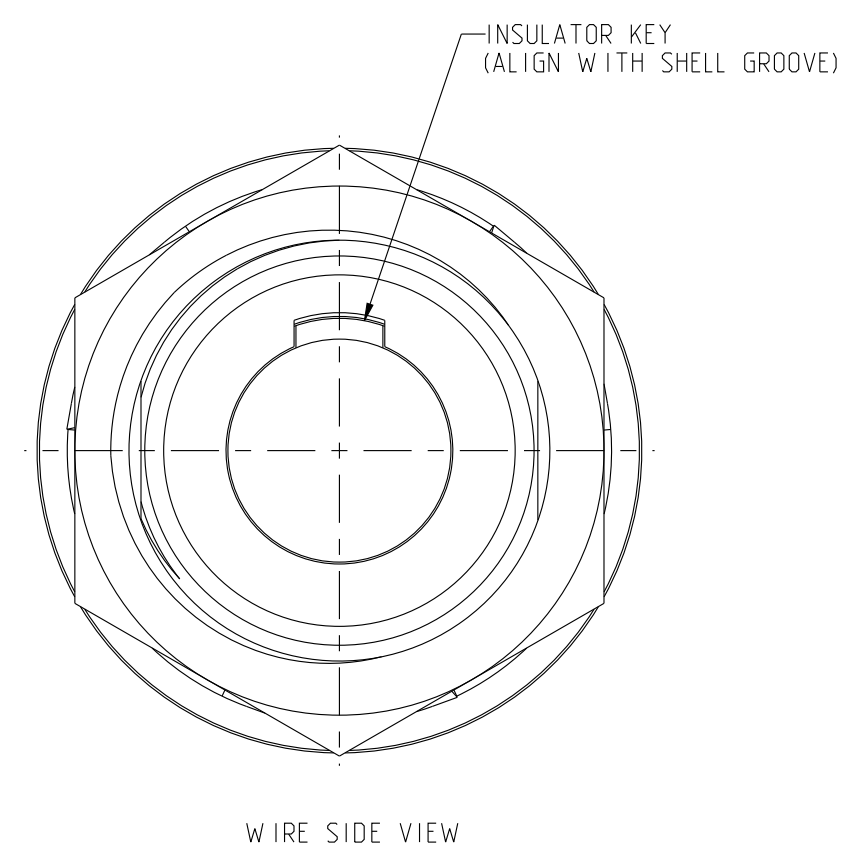
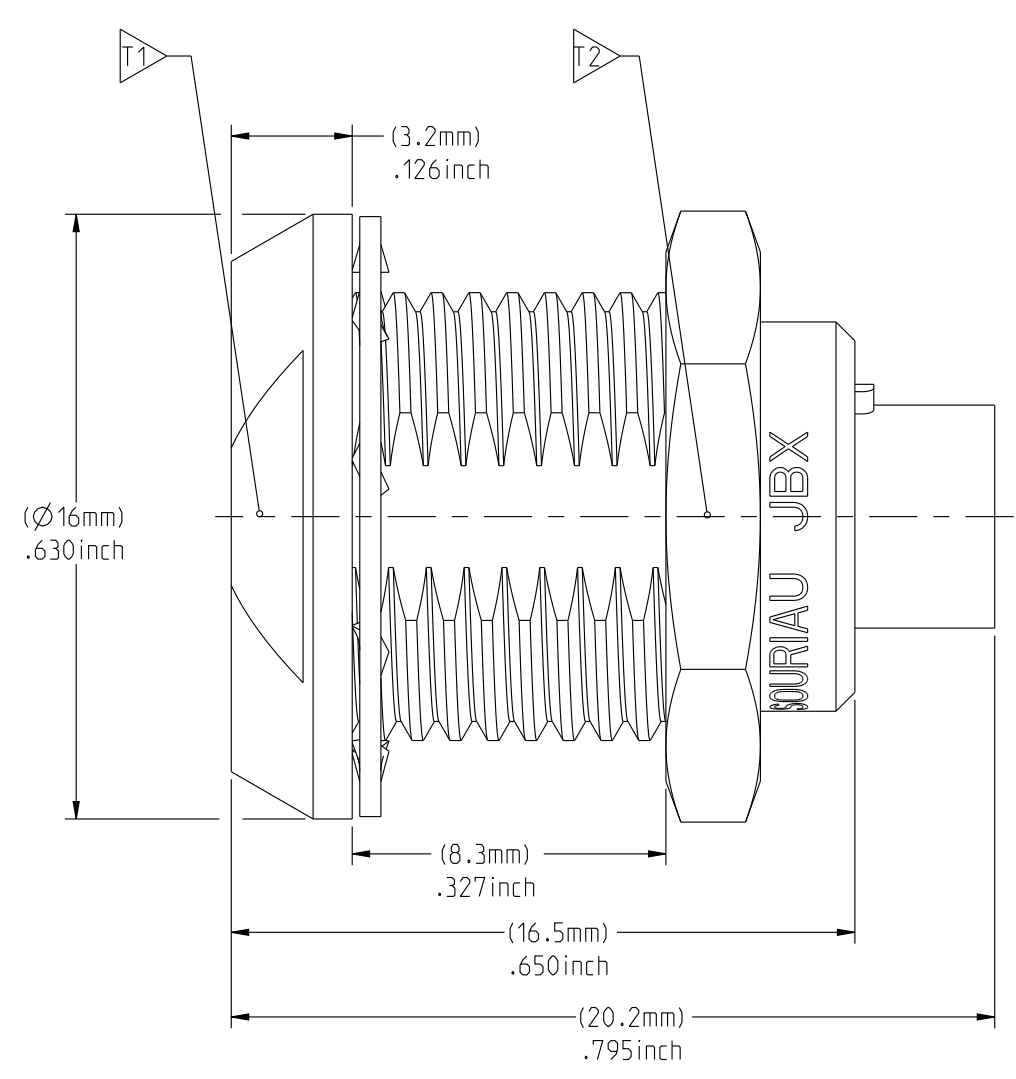
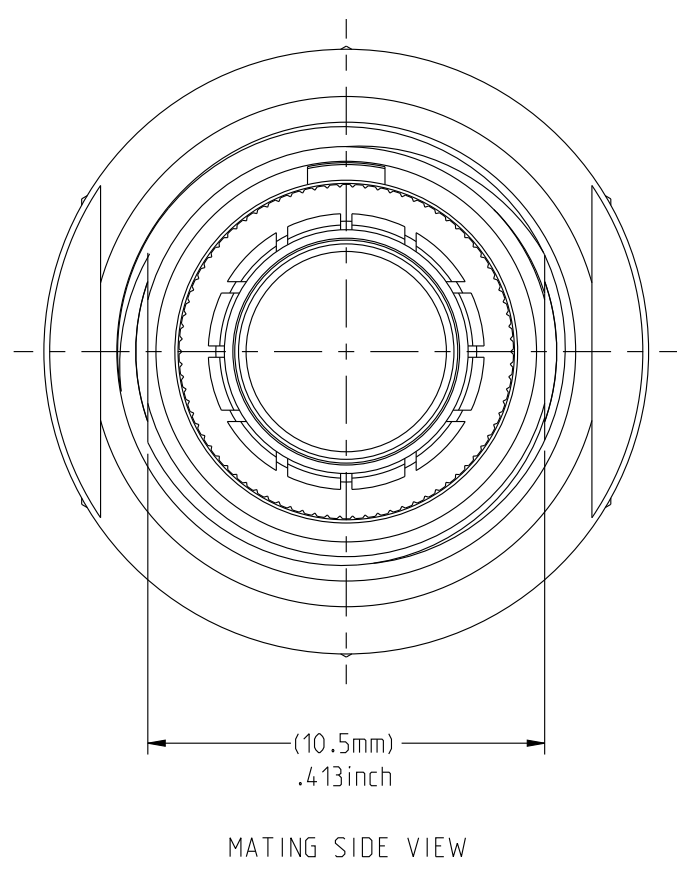
SHIELD RING & NUT : BRASS

FINISH:

OUTER SHELL & PANEL NUT : CHROME

OTHER BRASS PARTS : NICKEL

TOOLS

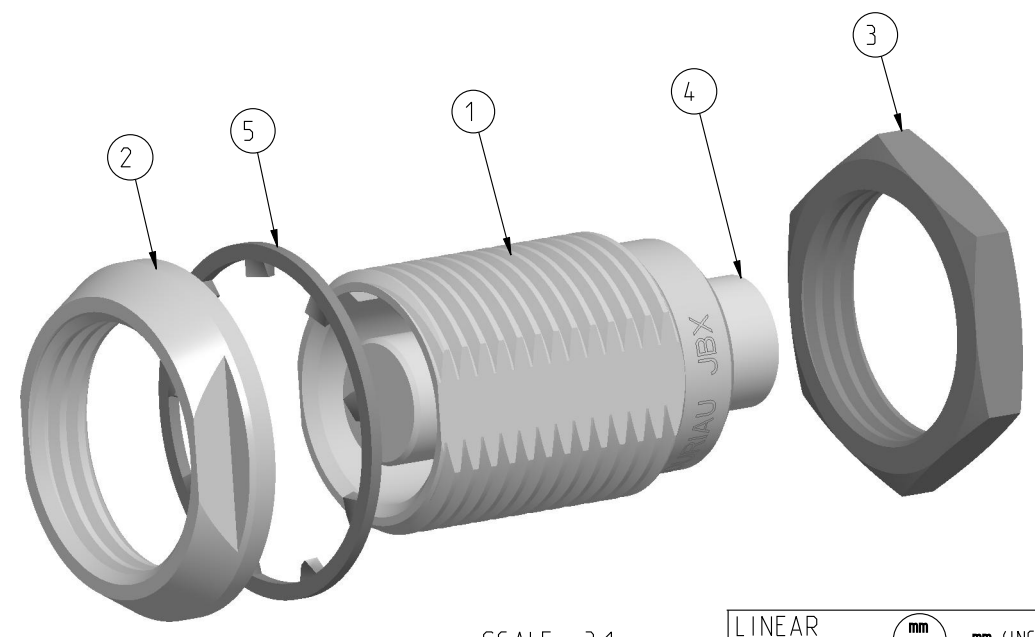
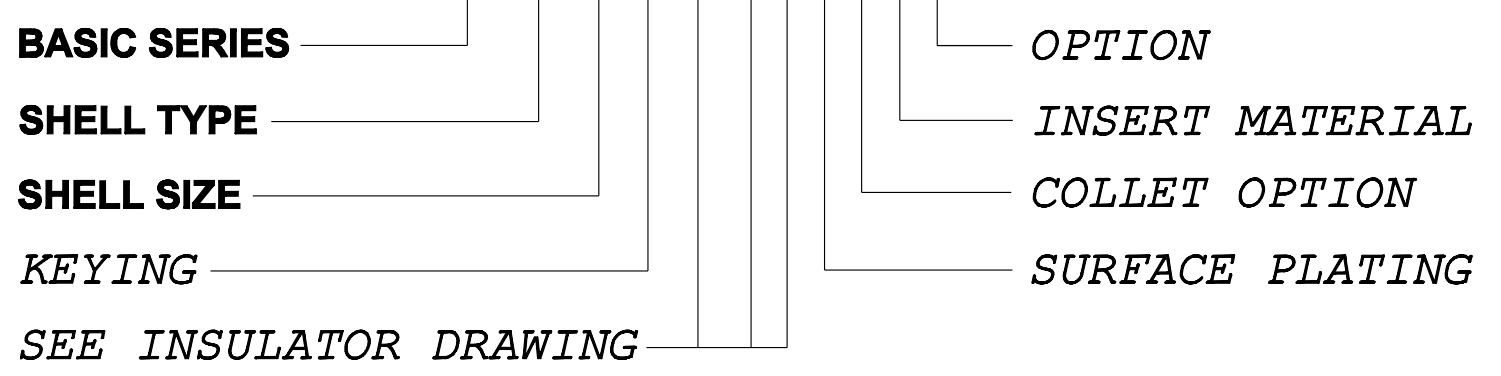


| PART LIST | |
|-----------|-------------|
| ITEM NO. | DESCRIPTION |
| 1 | SHELL |
| 2 | PANEL NUT |
| 3 | HEX NUT |
| 4 | INSULATOR |
| 5 | LOCK WASHER |

| | TOOLS (JAW DIMENSION) | ADVISED TORQUE IN Nm |
|----|-----------------------|----------------------|
| T1 | 13 | 1.3 |
| T2 | 14 | 1.3 |

CATALOG NUMBER DESCRIPTION

JBX EA 1 XXXXXDX -



SCALE 3:1

| ORIGIN | COUNTRY | JURISDICTION | CLASSIFICATION |
|--------|---------|--------------|----------------|
| X | FR | Not listed | N/A |
| | US | EAR | ECCN =EAR99 |

These commodities, technology or software are exported from the United States in accordance with the Export Administration Regulations. Diversion contrary to U.S. law is prohibited.

LINEAR MEASURE: mm (INCH)

THIRD ANGLE PROJECTION

TOLERANCES UNLESS OTHERWISE SPECIFIED

| | |
|---------------|--------------|
| No. OF PLACES | mm [INCH] |
| WHOLE No. | ±0.5 [±.02] |
| ONE PLACE | ±0.2 [±.008] |
| TWO PLACES | ±0.1 [±.004] |

ANGLES ±1°

DRAWING TITLE
JBX, SIZE 1, DOUBLE NUT RECEPTACLE

CAT NO. **JBXE1C**

CAGE NO: 09922 SIZE: C

CUSTOMER

INTERPRET THIS DRAWING IN ACCORDANCE WITH ASME Y14.5M - 1994.

SOURIAU
WWW.SOURIAU.COM

| | | |
|----------|--------------------|----------|
| APPROVAL | DRAWN: TJS | 01-07-15 |
| | CHKD : EV | 01-07-15 |
| | DSGN : EV | 01-07-15 |
| | MFG : DH | 01-07-15 |
| | QC : BB | 01-07-15 |
| | DRAWING SCALE: 5:1 | |
| | DRAWING NO. | REV |
| | JBXE1C | A |

1 OF 1

THIS DRAWING IS A CONTROLLED DOCUMENT FOR SOURIAU USA, INC. IT IS SUBJECT TO CHANGE WITHOUT NOTIFICATION. CONTACT THE DOCUMENT CONTROL CENTER FOR THE LATEST REVISION.

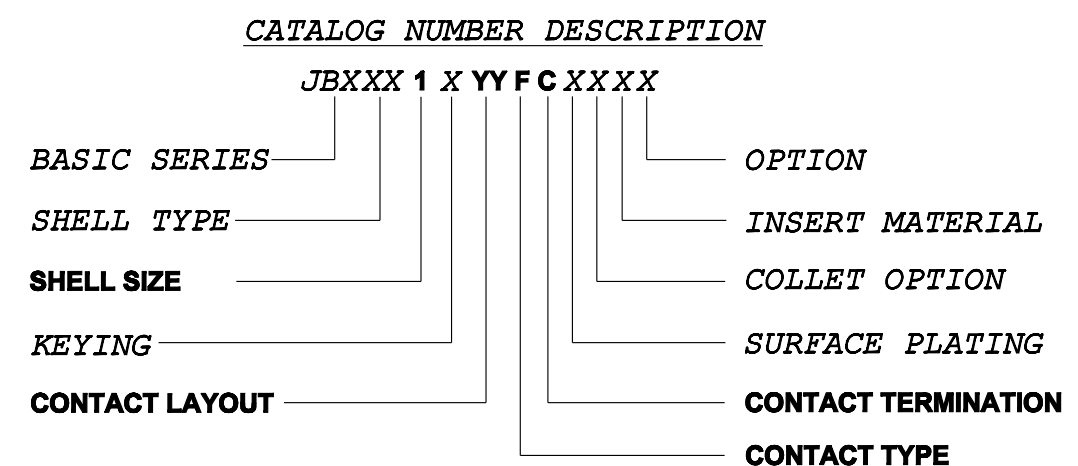
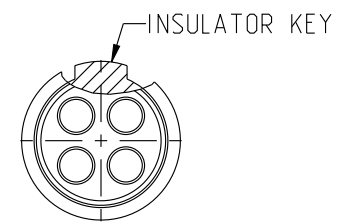
THE INFORMATION CONTAINED IN THIS DRAWING IS CONFIDENTIAL AND MAY NOT BE DISCLOSED WITHOUT WRITTEN CONSENT FROM SOURIAU USA, INC.

DWG. NO.
JBX1INSFCC

FEMALE INSULATOR, CRIMP CONTACT

| CONTACT LAYOUT | 02 | 03 | 04 | 05 |
|----------------------------|-------------------------|---------|---------|---------|
| FRONT SIDE VIEW | | | | |
| REAR SIDE VIEW | | | | |
| CONTACT | | | | |
| ISO VIEW | | | | |
| CONTACT | ØC | 1.3 | 1.3 | 0.9 |
| | ØF | 1.4 | 1.4 | 1.1 |
| | MAX. AWG | 18 | 18 | 20 |
| | MAX. CURRENT RATING (A) | 15 | 15 | 10 |
| INSULATOR | CONTACT RESISTANCE (mΩ) | 3 | 3 | 3.5 |
| | NUMBER OF CAVITY | 2 | 3 | 4 |
| | MAX. CURRENT RATING | 15 | 12 | 10 |
| | TEST VOLTAGE (Vrms) | 1600 | 1300 | 1900 |
| WORKING VOLTAGE (Vdc/Vrms) | 760/530 | 600/420 | 900/630 | 660/460 |

CONTACT TYPE : F (FEMALE)
CONTACT TERMINATION : C (CRIMP)
MATERIAL :
 CONTACT: CUPRO NICKEL
 CLIP: COPPER ALLOY
 INSULATOR: PEEK
FINISH:
 CONTACTS: GOLD



| | | | |
|-----|------------------------|--------------|-------------|
| B | REVISED PER ECN 12286 | RSK 06-10-15 | EV 06-10-15 |
| A | RELEASED PER ECN 12264 | SKV 03-10-15 | EV 03-10-15 |
| REV | DESCRIPTION | BY DATE | CHKD DATE |

DRAWING TITLE
JBX, SIZE 1, FEMALE INSULATOR, CRIMP CONTACT

CAT NO. **JBX1INSFC**

CAGE NO: 09922 SIZE: B

CUSTOMER

SOURIAU

WWW.SOURIAU.COM

APPROVAL

| | | |
|----------------|-----|----------|
| DRAWN: | SKV | 02-02-15 |
| CHKD : | EV | 02-02-15 |
| DSGN : | EV | 02-02-15 |
| MFG : | DH | 02-02-15 |
| QC : | BB | 02-02-15 |
| DRAWING SCALE: | | NA |
| DRAWING NO. | | REV |
| JBX1INSFCC | | B |
| 1 OF 2 | | |

INTERPRET THIS DRAWING IN ACCORDANCE WITH ASME Y14.5M - 1994.

THIS DRAWING IS A CONTROLLED DOCUMENT FOR SOURIAU USA, INC. IT IS SUBJECT TO CHANGE WITHOUT NOTIFICATION. CONTACT THE DOCUMENT CONTROL CENTER FOR THE LATEST REVISION.

THE INFORMATION CONTAINED IN THIS DRAWING IS CONFIDENTIAL AND MAY NOT BE DISCLOSED WITHOUT WRITTEN CONSENT FROM SOURIAU USA, INC.

| ORIGIN | COUNTRY | JURISDICTION | CLASSIFICATION |
|--------|---------|--------------|----------------|
| X | FR | Not listed | N/A |
| | US | EAR | ECCN =EAR99 |

These commodities, technology or software are exported from the United States in accordance with the Export Administration Regulations. Diversion contrary to U.S. law is prohibited

LINEAR MEASURE: $\frac{mm}{INCH}$ mm (INCH)

THIRD ANGLE PROJECTION

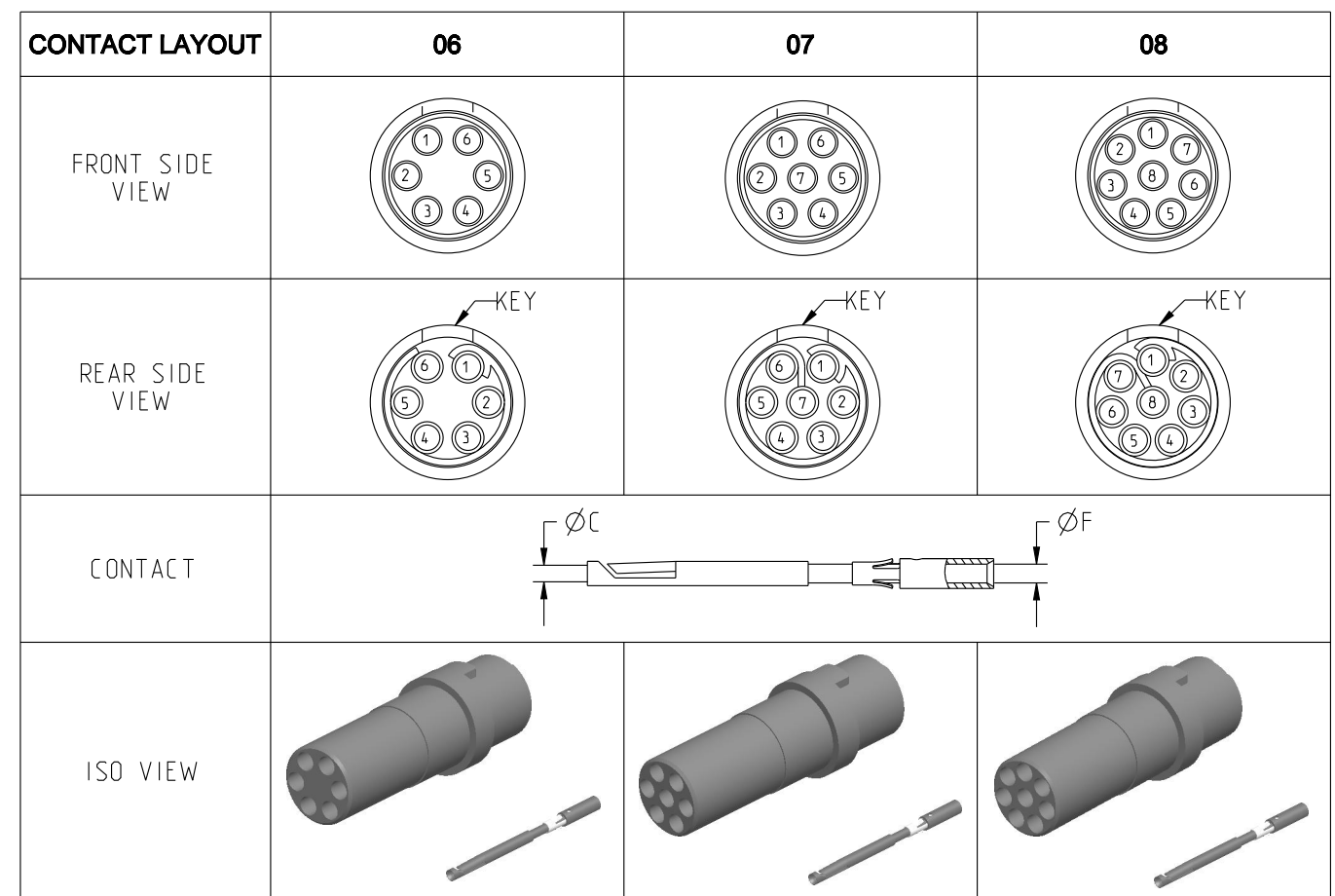
TOLERANCES UNLESS OTHERWISE SPECIFIED

| No. OF PLACES | mm [INCH] |
|---------------|---------------|
| ONE PLACE | ±3 [±.1] |
| TWO PLACES | ±0.5 [±.02] |
| THREE PLACES | ±0.25 [±.010] |

ANGLES ±1°

DWG. NO.
JBX1INSFCC

THIS DRAWING IS A CONTROLLED DOCUMENT FOR SOURIAU USA, INC. IT IS SUBJECT TO CHANGE WITHOUT NOTIFICATION. CONTACT THE DOCUMENT CONTROL CENTER FOR THE LATEST REVISION.



| CONTACT | ØC | 0.7 | 0.7 | 0.7 |
|-------------------------|----------------------------|---------|---------|---------|
| | ØF | 0.85 | 0.85 | 0.85 |
| | MAX. AWG | 22 | 22 | 22 |
| | MAX. CURRENT RATING (A) | 7 | 7 | 7 |
| CONTACT RESISTANCE (mΩ) | | 5 | 5 | 5 |
| INSULATOR | NUMBER OF CAVITY | 6 | 7 | 8 |
| | MAX. CURRENT RATING | 7 | 7 | 5 |
| | TEST VOLTAGE (Vrms) | 1400 | 1400 | 1200 |
| | WORKING VOLTAGE (Vdc/Vrms) | 660/460 | 660/460 | 600/420 |

THE INFORMATION CONTAINED IN THIS DRAWING IS CONFIDENTIAL AND MAY NOT BE DISCLOSED WITHOUT WRITTEN CONSENT FROM SOURIAU USA, INC.

B

A

| | | | |
|---|---------------------|---|----------------|
| DRAWING TITLE | | JBX, SIZE 1, FEMALE INSULATOR, CRIMP CONTACT | |
| CAT NO. | | JBX1INSFC | |
| CAGE NO: 09922 | SIZE: B | CUSTOMER | SOURIAU |
| INTERPRET THIS DRAWING IN ACCORDANCE WITH ASME Y14.5M - 1994. | | | |
| APPROVAL | DRAWN: SKV 02-02-15 | DRAWING SCALE: NA | |
| | CHKD : EV 02-02-15 | DRAWING NO. REV | |
| | DSGN : EV 02-02-15 | JBX1INSFCC B | |
| | MFG : DH 02-02-15 | 2 OF 2 | |
| | QC : BB 02-02-15 | PRO-E | |

LINEAR MEASURE: $\frac{mm}{INCH}$ mm (INCH)

THIRD ANGLE PROJECTION

TOLERANCES UNLESS OTHERWISE SPECIFIED

| No. OF PLACES | mm [INCH] |
|---------------|---------------|
| ONE PLACE | ±3 [±.1] |
| TWO PLACES | ±0.5 [±.02] |
| THREE PLACES | ±0.25 [±.010] |

ANGLES ±1°

| ORIGIN | COUNTRY | JURISDICTION | CLASSIFICATION |
|--------|---------|--------------|----------------|
| X | FR | Not listed | N/A |
| | US | EAR | ECCN =EAR99 |

These commodities, technology or software are exported from the United States in accordance with the Export Administration Regulations. Diversion contrary to U.S. law is prohibited.