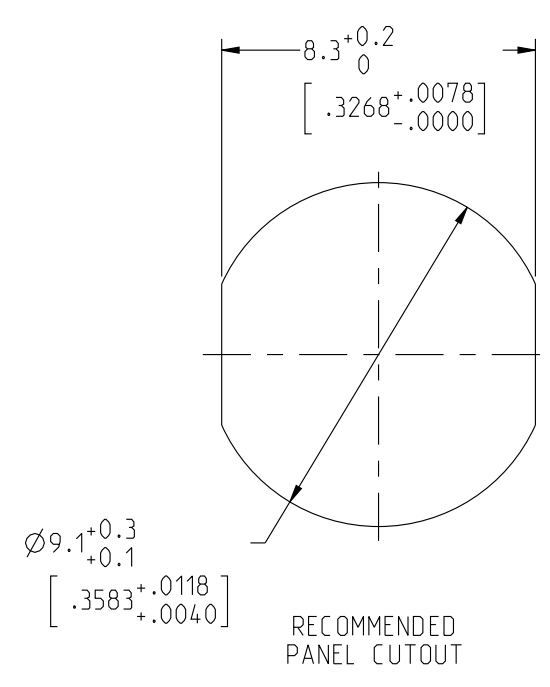


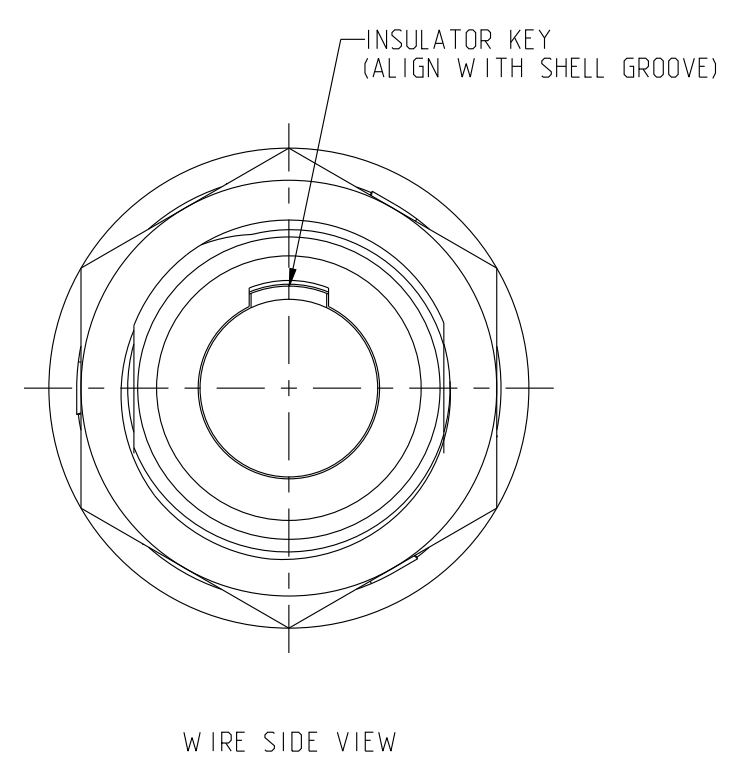
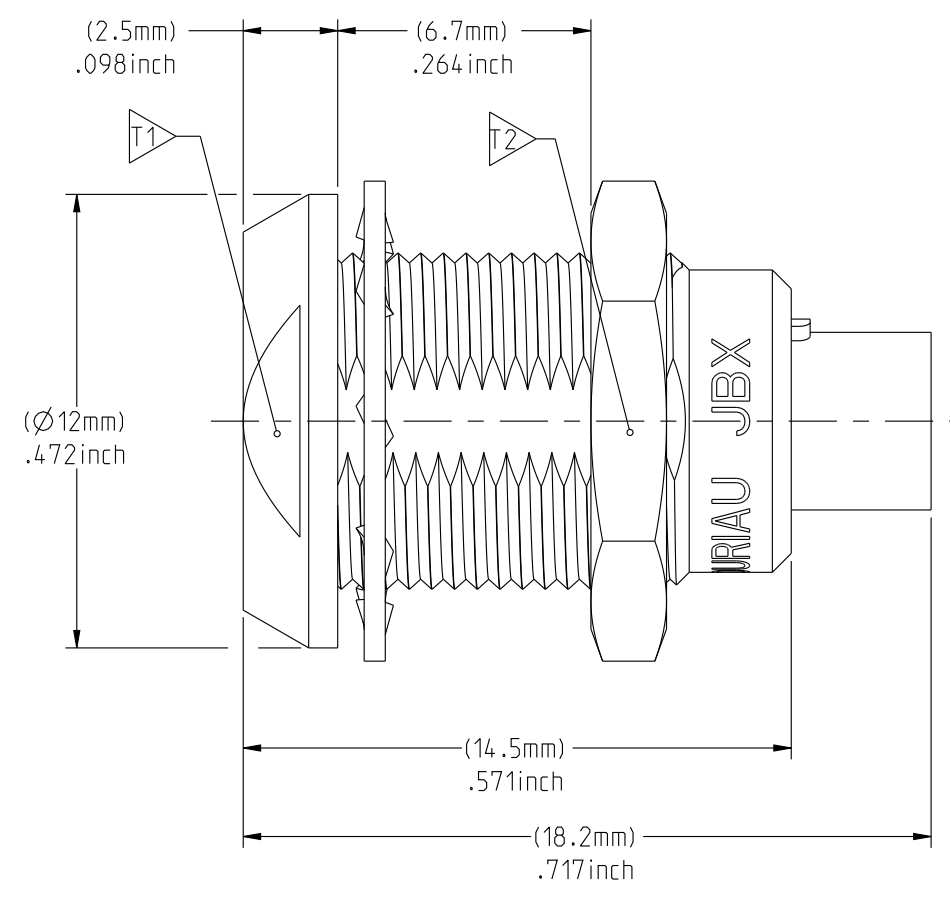
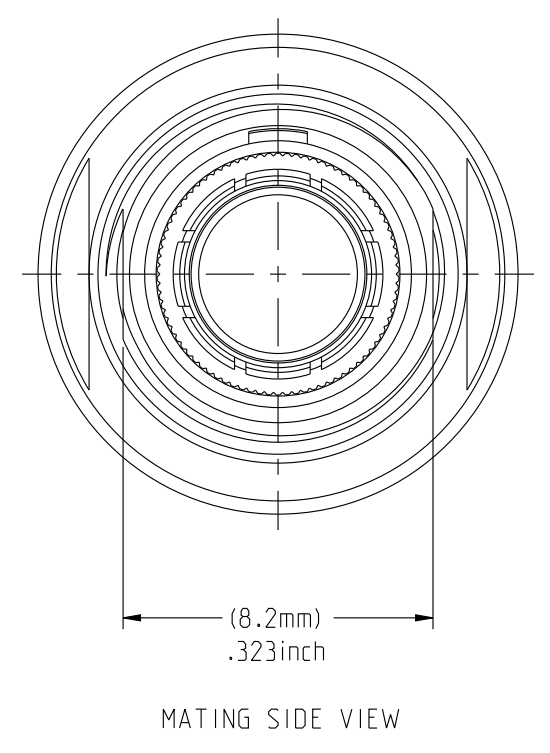
THIS DRAWING IS A CONTROLLED DOCUMENT FOR SOURIAU USA, INC. IT IS SUBJECT TO CHANGE WITHOUT NOTIFICATION. CONTACT THE DOCUMENT CONTROL CENTER FOR THE LATEST REVISION.

ELECTRICAL:
 EMI SHIELDING : SHIELDED FOR THE RANGE 55dB UP TO 100MHz
 INSULATION RESISTANCE : >500MΩ PER ANSI-EIA-364-D METHOD 21
 MAX. CURRENT RATING : SEE INSULATOR DRAWING
 CONNECTOR TESTING : SEE INSULATOR DRAWING VOLTAGE
 CONNECTOR WORKING : SEE INSULATOR DRAWING VOLTAGE

ENVIRONMENTAL:
 ENDURANCE: 1000 CYCLES AS PER MIL-STD 1344A, METHOD 2016.1
 SHOCK: 50 g, DURATION 6 ms; AS PER MIL-STD 1344A, METHOD 2004.1
 VIBRATIONS: 10 TO 2000Hz g = 20g, AS PER MIL-STD 1344A, METHOD 2005.1
 PROTECTION INDEX: IP 40 AS PER IEC 529
 ROHS COMPLIANT
 SALT MIST : 48Hr PER SAE AS 1344 METHOD 1001.1 CEI 529
 OPERATING TEMPERATURE: -55°C TO +125°C (-67°F TO +257°F)

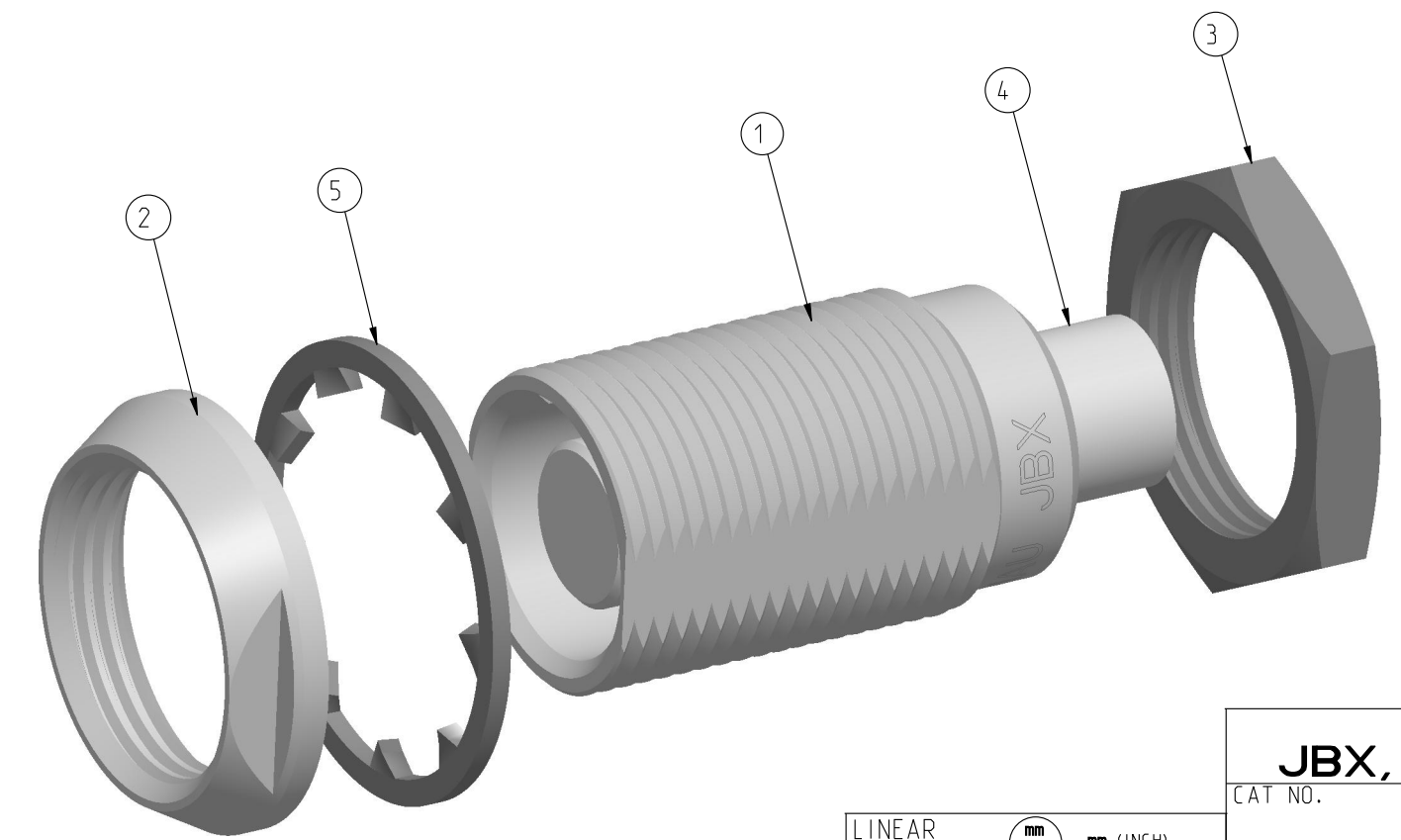


NOTES:
MATERIAL:
 OUTER SHELL & PANEL NUT : BRASS
 SHIELD RING & NUT :
FINISH:
 OUTER SHELL & PANEL NUT : CHROME
 OTHER BRASS PARTS : NICKEL
TOOLS



PART LIST	
ITEM NO.	DESCRIPTION
1	SHELL
2	PANEL NUT
3	HEX NUT
4	INSULATOR
5	LOCK WASHER

	TOOLS (JAW DIMENSION)	ADVISED TORQUE IN Nm
T1	10	0.7
T2	11	0.7



CATALOG NUMBER DESCRIPTION
JBX EA 0 XXXXXDX-

BASIC SERIES _____ **OPTION**
SHELL TYPE _____ **INSERT MATERIAL**
SHELL SIZE _____ **COLLET OPTION**
KEYING _____ **SURFACE PLATING**
SEE INSULATOR DRAWING

ORIGIN	COUNTRY	JURISDICTION	CLASSIFICATION
X	FR	Not listed	N/A
	US	EAR	ECCN =EAR99

These commodities, technology or software are exported from the United States in accordance with the Export Administration Regulations. Diversion contrary to U.S. law is prohibited.

LINEAR MEASURE: $\frac{mm}{INCH}$ $\frac{mm}{(INCH)}$

THIRD ANGLE PROJECTION

TOLERANCES UNLESS OTHERWISE SPECIFIED

No. OF PLACES	mm [INCH]
WHOLE No.	±0.5 [±.02]
ONE PLACE	±0.2 [±.008]
TWO PLACES	±0.1 [±.004]

ANGLES ±1°

DRAWING TITLE
JBX, SIZE 0, DOUBLE NUT RECEPTACLE

CAT NO. **JBXEAO**

CAGE NO: 09922 SIZE: C

CUSTOMER

INTERPRET THIS DRAWING IN ACCORDANCE WITH ASME Y14.5M - 1994.

SOURIAU
 WWW.SOURIAU.COM

APPROVAL	DRAWN: TJS	01-07-15
	CHKD : EV	01-07-15
	DSGN : EV	01-07-15
	MFG : DH	01-07-15
	QC : BB	01-07-15
	DRAWING SCALE: 5:1	
	DRAWING NO.	REV
	JBXEAOC	A

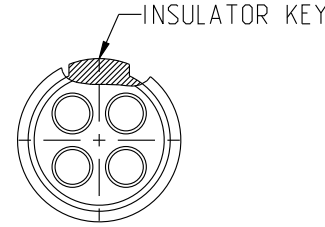
1 OF 1

DWG. NO.
JBX01NSMSC

MALE INSULATOR, SOLDER CONTACT

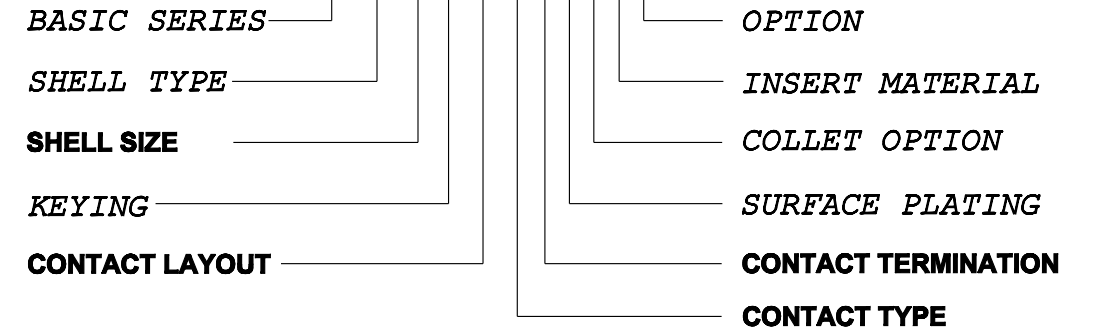
CONTACT LAYOUT	02	03	04	05
FRONT SIDE VIEW				
REAR SIDE VIEW				
CONTACT				
ISO VIEW				
CONTACT	ØC	0.9	0.9	0.7
	ØF	0.8	0.8	0.81
	MAX. AWG	24	24	22
	MAX. CURRENT RATING (A)	10	10	7
	CONTACT RESISTANCE (mΩ)	3.5	3.5	5
INSULATOR	NUMBER OF CAVITY	2	3	4
	MAX. CURRENT RATING	10	8	6.5
	TEST VOLTAGE (Vrms)	1400	1300	1350
	WORKING VOLTAGE (Vdc/Vrms)	660/460	600/420	660/460

CONTACT TYPE : M (MALE)
CONTACT TERMINATION : S (SOLDER)
MATERIAL :
 CONTACT: BRASS
 CLIP: COPPER ALLOY
 INSULATOR: PEEK
FINISH:
 CONTACTS: GOLD



CATALOG NUMBER DESCRIPTION

JBXXX 0 XYYMS XXXX



B	REVISED PER ECN 12286	RSK 06-10-15	EV 06-10-15
A	RELEASED PER ECN 12264	SKV 03-10-15	EV 03-10-15
REV	DESCRIPTION	BY DATE	CHKD DATE

DRAWING TITLE
JBX, SIZE O, MALE INSULATOR, SOLDER CONTACT

CAT NO. **JBX01NSMS**

CAGE NO: 09922 SIZE: B

CUSTOMER	SOURIAU	APPROVAL	DRAWN: SKV	02-02-15
			CHKD : EV	02-02-15
INTERPRET THIS DRAWING IN ACCORDANCE WITH ASME Y14.5M - 1994.	WWW.SOURIAU.COM		DSGN : EV	02-02-15
			MFG : DH	02-02-15
			QC : BB	02-02-15
			DRAWING SCALE: NA	
			DRAWING NO.	REV
			JBX01NSMSC	B
			1 OF 2	

ORIGIN	COUNTRY	JURISDICTION	CLASSIFICATION
X	FR	Not listed	N/A
	US	EAR	ECCN =EAR99

These commodities, technology or software are exported from the United States in accordance with the Export Administration Regulations. Diversion contrary to U.S. law is prohibited

LINEAR MEASURE: $\frac{mm}{INCH}$ mm (INCH)
 THIRD ANGLE PROJECTION

 TOLERANCES UNLESS OTHERWISE SPECIFIED
 No. OF PLACES mm [INCH]
 ONE PLACE ±3 [±.1]
 TWO PLACES ±0.5 [±.02]
 THREE PLACES ±0.25 [±.010]
 ANGLES ±1°

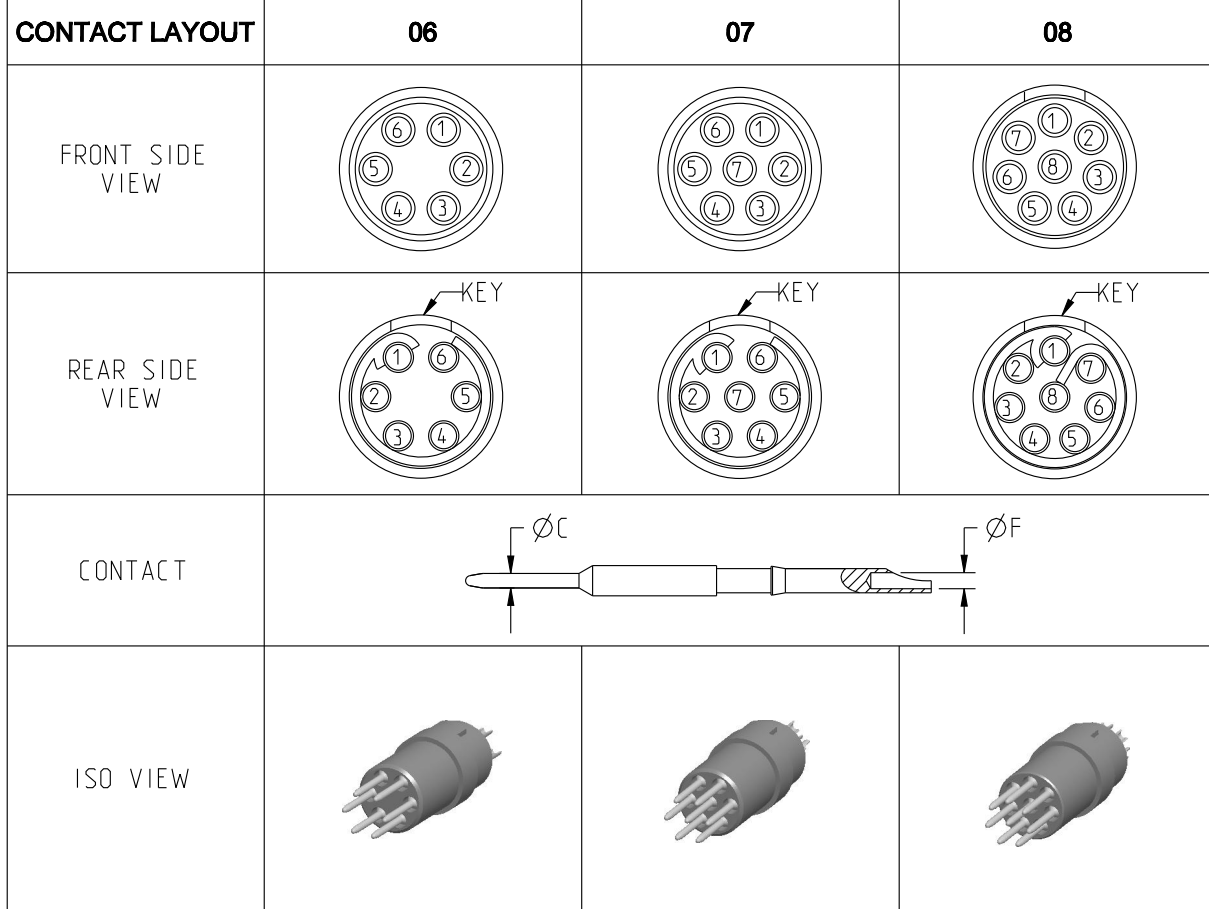
THIS DRAWING IS A CONTROLLED DOCUMENT FOR SOURIAU USA, INC. IT IS SUBJECT TO CHANGE WITHOUT NOTIFICATION. CONTACT THE DOCUMENT CONTROL CENTER FOR THE LATEST REVISION.

THE INFORMATION CONTAINED IN THIS DRAWING IS CONFIDENTIAL AND MAY NOT BE DISCLOSED WITHOUT WRITTEN CONSENT FROM SOURIAU USA, INC.

B

A

DWG. NO.
JBX0INSMSC



CONTACT	ØC	0.5	0.5	0.5
	ØF	0.5	0.5	0.5
	MAX. AWG	28	28	28
	MAX. CURRENT RATING (A)	5	5	5
CONTACT RESISTANCE (mΩ)		10	10	10
INSULATOR	NUMBER OF CAVITY	6	7	8
	MAX. CURRENT RATING	2.5	2.5	2
	TEST VOLTAGE (Vrms)	680	680	680
	WORKING VOLTAGE (Vdc/Vrms)	320/220	320/220	190/130

THIS DRAWING IS A CONTROLLED DOCUMENT FOR SOURIAU USA, INC. IT IS SUBJECT TO CHANGE WITHOUT NOTIFICATION. CONTACT THE DOCUMENT CONTROL CENTER FOR THE LATEST REVISION.

THE INFORMATION CONTAINED IN THIS DRAWING IS CONFIDENTIAL AND MAY NOT BE DISCLOSED WITHOUT WRITTEN CONSENT FROM SOURIAU USA, INC.

B

A

DRAWING TITLE
JBX, SIZE O, MALE INSULATOR, SOLDER CONTACT

CAT NO. **JBX0INSMS**

CAGE NO: 09922 SIZE: B

CUSTOMER	SOURIAU	APPROVAL	DRAWN: SKV 02-02-15
		CHKD : EV 02-02-15	DSGN : EV 02-02-15
INTERPRET THIS DRAWING IN ACCORDANCE WITH ASME Y14.5M - 1994.		MFG : DH 02-02-15	QC : BB 02-02-15
		DRAWING SCALE: NA	
WWW.SOURIAU.COM		DRAWING NO.	REV
		JBX0INSMSC	B

LINEAR MEASURE: $\frac{mm}{INCH}$ mm (INCH)

THIRD ANGLE PROJECTION

TOLERANCES UNLESS OTHERWISE SPECIFIED

No. OF PLACES	mm [INCH]
ONE PLACE	±3 [±.1]
TWO PLACES	±0.5 [±.02]
THREE PLACES	±0.25 [±.010]

ANGLES ±1°

ORIGIN	COUNTRY	JURISDICTION	CLASSIFICATION
X	FR	Not listed	N/A
	US	EAR	ECCN =EAR99

These commodities, technology or software are exported from the United States in accordance with the Export Administration Regulations. Diversion contrary to U.S. law is prohibited