



LAYOUT SHOWN AS EXAMPLE

Keying Shown as example

CHARACTERISTICS

- Standard : Based on MIL-DTL-38999 Series III
- Shell Material : Aluminium
- Shell Plating : Nickel
- Insulator : Thermoplastic
- Contacts : Copper Alloy
- Seals & Grommet : Silicon Elastomer
- Contact Plating : Gold over copper Alloy 0.8µm minimum
- Durability : 500 Mating cycles
- Delivered without Souriau contacts
- Temperature Range : -65°C to +200°C
- Salt Spray : 48 hours
- Mass : 70.63 g ± 10%

Connector dimension	
Dim	Nominal
A	58.7±0.3
B	42.85+0.1/-0.15
R	32.5Max
S	55.6±0.4
W	3+0.9/-0.1
VV THREAD	M37x1-6g

SOURIAU shall not be liable for any non-conformity or damage due to a use of the Products which does not comply with the Specifications issued by either of the Parties or by a third party (professional recommendation, technical notice.)

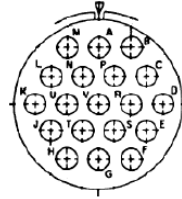
Country	Jurisdiction & Control List
FR	Not Listed

PN: 8D725F19SEL

A	03-10-2016	First Release	
ISS	DATE	Latest modification - by	MOD N°
Designed By:		Date:	CUSTOMER DRAWING
TITLE	Aluminium Receptacle 8D series		
SCALE		General linear Tolerances: ±--	NPRDS / PROJECT 859
NA	SOURIAU WWW.SOURIAU.COM		This document is the property of SOURIAU it must not be reproduced or communicated without permission
FORMAT	A3		SOURIAU DRG N° 8D725F19SEL-C SHEET 1/2

BASIC SERIES:	8D	7	-	25	F	19	S	E	L	Delivered W/O Contacts
SHELL TYPE :	Jam nut Receptacle									ORIENTATION : E
CONTACT TYPE :	Standard Crimp Contact									CONTACT TYPE : SOCKET(500 Matings)
SHELL SIZE :	25									CONTACT LAYOUT : 25-19
PLATING :	F = Nickel									

Contact Layout

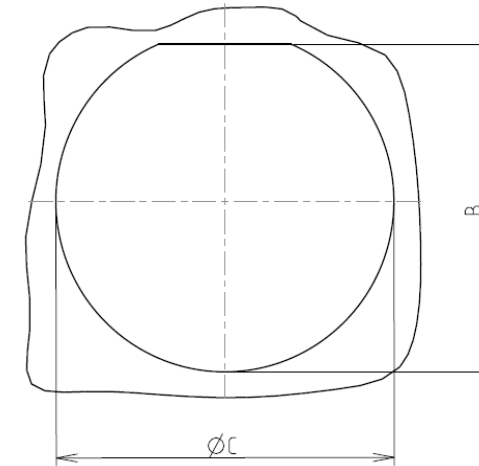


Contacts (Insert arrangement 25-19)					
Contact position ID	Location		Contact position ID	Location	
	X-axis (mm)	Y-axis (mm)		X-axis (mm)	Y-axis (mm)
A	+000 (0.00)	+409 (10.39)	L	-354 (8.99)	+205 (5.21)
B	+236 (5.99)	+409 (10.39)	M	-236 (5.99)	+409 (10.39)
C	+354 (8.99)	+205 (5.21)	N	-118 (3.00)	+205 (5.21)
D	+472 (11.99)	+000 (0.00)	P	+118 (3.00)	+205 (5.21)
E	+354 (8.99)	-205 (5.21)	R	+236 (5.99)	+000 (0.00)
F	+236 (5.99)	-409 (10.39)	S	+118 (3.00)	-205 (5.21)
G	+000 (0.00)	-409 (10.39)	T	-118 (3.00)	-205 (5.21)
H	-236 (5.99)	-409 (10.39)	U	-236 (5.99)	+000 (0.00)
J	-354 (8.99)	-205 (5.21)	V	+000 (0.00)	+000 (0.00)
K	-472 (11.99)	+000 (0.00)	---	---	---

Shell size	Arrangement no.	Number of contacts	Size contacts	Service rating	Contact location	Supersedes
25	-19	19	12	I	All	MS20057-19

Panel cutout

JAM NUT RECEPTACLE (TYPE 7)



Dim	Nominal
B	43.43+0/-0.25
ØC	44.7+0.25/-0

SOURIAU shall not be liable for any non-conformity or damage due to a use of the Products which does not comply with the Specifications issued by either of the Parties or by a third party (professional recommendation, technical notice.)

Country	Jurisdiction & Control List
FR	Not Listed

PN: 8D725F19SEL

A	03-10-2016	First Release	
ISS	DATE	Latest modification - by	MOD N°
Designed By:		Date:	CUSTOMER DRAWING
TITLE	Aluminium Receptacle 8D series		
SCALE		General linear Tolerances:	NPRDS / PROJECT
NA		±--	859
SOURIAU	WWW.SOURIAU.COM		This document is the property of SOURIAU it must not be reproduced or communicated without permission
FORMAT	SOURIAU DRG N° 8D725F19SEL-C		SHEET 2/2