

LAYOUT SHOWN AS EXAMPLE

Keying Shown as example

**CHARACTERISTICS**

- Standard : Based on MIL-DTL-38999 Series III
- Shell Material : Stainless Steel
- Shell Plating : Nickel
- Insulator : Thermoplastic
- Contacts : Copper Alloy
- Seals & Grommet : Silicon Elastomer
- Contact Plating : Gold over copper Alloy 0.8µm minimum
- Durability : 500 Mating cycles
- Delivered without Souriau contacts
- Temperature Range : -65°C to +200°C
- Salt Spray : 500 hours

| Connector dimension |                 |
|---------------------|-----------------|
| Dim                 | Nominal         |
| A                   | 55.6±0.3        |
| B                   | 39.67+0.1/-0.15 |
| R                   | 32.5Max         |
| S                   | 52.4±0.4        |
| W                   | 3+0.9/-0.1      |
| VV THREAD           | M34x1-6g        |

SOURIAU shall not be liable for any non-conformity or damage due to a use of the Products which does not comply with the Specifications issued by either of the Parties or by a third party (professional recommendation, technical notice.)

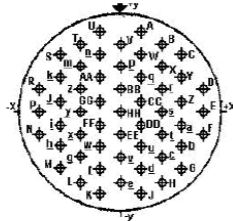
|         |                             |
|---------|-----------------------------|
| Country | Jurisdiction & Control List |
| FR      | Not Listed                  |

**PN: 8D723S55SBL**

|              |   |                                |   |
|--------------|---|--------------------------------|---|
| A            | 01-10-2016  | First Release                  |   |
| ISS          | DATE  | Latest modification - by       | MOD N°  |
| Designed By: |   | Date:                          | <b>CUSTOMER DRAWING</b>   |
| <b>TITLE</b> | <b>Stainless Steel Receptacle 8D series</b>                         |                                |   |
| SCALE        |   | General linear Tolerances: ±-- | NPRDS / PROJECT<br><b>859</b>   |
| NA           | <b>SOURIAU</b> <a href="http://WWW.SOURIAU.COM">WWW.SOURIAU.COM</a> |                                | This document is the property of SOURIAU it must not be reproduced or communicated without permission |
| FORMAT       | <b>A3</b>   |                                | <b>SOURIAU DRG N° 8D723S55SBL-C</b> SHEET 1/2   |

|                |                        |   |   |    |   |    |   |   |   |                                    |
|----------------|------------------------|---|---|----|---|----|---|---|---|------------------------------------|
| BASIC SERIES:  | 8D                     | 7 | - | 23 | S | 55 | S | B | L | Delivered W/O Contacts             |
| SHELL TYPE :   | Jam nut Receptacle     |   |   |    |   |    |   |   |   | ORIENTATION : B                    |
| CONTACT TYPE : | Standard Crimp Contact |   |   |    |   |    |   |   |   | CONTACT TYPE : SOCKET(500 Matings) |
| SHELL SIZE :   | 23                     |   |   |    |   |    |   |   |   | CONTACT LAYOUT : 23-55             |
| PLATING :      | S = Nickel             |   |   |    |   |    |   |   |   |                                    |

Contact Layout

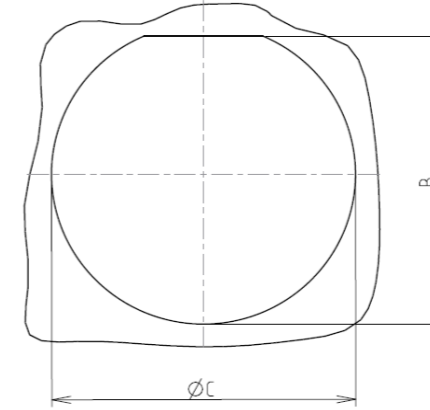


| Contacts<br>(Insert arrangement 23-55) |              |              |                     |             |             |
|--|--------------|--------------|---------------------|-------------|-------------|
| Contact position ID                    | Location     |              | Contact position ID | Location    |             |
|  | X-axis (mm)  | Y-axis (mm)  |                     | X-axis (mm) | Y-axis (mm) |
| A                                      | +112 (2.84)  | +455 (11.56) | f                   | -112 (2.84) | -325 (8.26) |
| B                                      | +225 (5.72)  | +390 (9.91)  | g                   | -225 (5.72) | -260 (6.60) |
| C                                      | +336 (8.53)  | +325 (8.26)  | h                   | -336 (8.53) | -195 (4.95) |
| D                                      | +450 (11.43) | +130 (3.30)  | i                   | -336 (8.53) | -065 (1.65) |
| E                                      | +450 (11.43) | +000 (0.00)  | j                   | -336 (8.53) | +065 (1.65) |
| F                                      | +450 (11.43) | -130 (3.30)  | k                   | -336 (8.53) | +195 (4.95) |
| G                                      | +336 (8.53)  | -325 (8.26)  | m                   | -225 (5.72) | +260 (6.60) |
| H                                      | +225 (5.72)  | -390 (9.91)  | n                   | -112 (2.84) | +325 (8.26) |
| J                                      | +112 (2.84)  | -455 (11.56) | p                   | +000 (0.00) | +260 (6.60) |
| K                                      | -112 (2.84)  | -455 (11.56) | q                   | +112 (2.84) | +195 (4.95) |
| L                                      | -225 (5.72)  | -390 (9.91)  | r                   | +225 (5.72) | +130 (3.30) |
| M                                      | -336 (8.53)  | -325 (8.26)  | s                   | +225 (5.72) | +000 (0.00) |
| N                                      | -450 (11.43) | -130 (3.30)  | t                   | +225 (5.72) | -130 (3.30) |
| P                                      | -450 (11.43) | +000 (0.00)  | u                   | +112 (2.84) | -195 (4.95) |
| R                                      | -450 (11.43) | +130 (3.30)  | v                   | +000 (0.00) | -260 (6.60) |
| S                                      | -336 (8.53)  | +325 (8.26)  | w                   | -112 (2.84) | -195 (4.95) |
| T                                      | -225 (5.72)  | +390 (9.91)  | x                   | -225 (5.72) | -130 (3.30) |
| U                                      | -112 (2.84)  | +455 (11.56) | y                   | -225 (5.72) | +000 (0.00) |
| V                                      | +000 (0.00)  | +390 (9.91)  | z                   | -225 (5.72) | +130 (3.30) |
| W                                      | +112 (2.84)  | +325 (8.26)  | AA                  | -112 (2.84) | +195 (4.95) |
| X                                      | +225 (5.72)  | +260 (6.60)  | BB                  | +000 (0.00) | +130 (3.30) |
| Y                                      | +336 (8.53)  | +195 (4.95)  | CC                  | +112 (2.84) | +065 (1.65) |
| Z                                      | +336 (8.53)  | +065 (1.65)  | DD                  | +112 (2.84) | -065 (1.65) |
| a                                      | +336 (8.53)  | -065 (1.65)  | EE                  | +000 (0.00) | -130 (3.30) |
| b                                      | +336 (8.53)  | -195 (4.95)  | FF                  | -112 (2.84) | -065 (1.65) |
| c                                      | +225 (5.72)  | -260 (6.60)  | GG                  | -112 (2.84) | +065 (1.65) |
| d                                      | +112 (2.84)  | -325 (8.26)  | HH                  | +000 (0.00) | +000 (0.00) |
| e                                      | +000 (0.00)  | -390 (9.91)  | ---                 | ---         | ---         |

| Shell size | Arrangement no. | Number of contacts | Size contacts | Service rating | Contact location | Supersedes |
|------------|-----------------|--------------------|---------------|----------------|------------------|------------|
| 23         | -55             | 55                 | 20            | I              | All              | ---        |

Panel cutout

JAM NUT RECEPTACLE (TYPE 7)



| Dim | Nominal       |
|-----|---------------|
| B   | 40.26+0/-0.25 |
| ØC  | 41.53+0.25/-0 |

SOURIAU shall not be liable for any non-conformity or damage due to a use of the Products which does not comply with the Specifications issued by either of the Parties or by a third party (professional recommendation, technical notice.)

| Country | Jurisdiction & Control List |
|---------|-----------------------------|
| FR      | Not Listed                  |

PN: 8D723S55SBL

|                |   |                            |   |
|----------------|---|----------------------------|---|
| A              | 01-10-2016                                  | First Release              |   |
| ISS            | DATE  | Latest modification - by   | MOD N°  |
| Designed By:   |   | Date:                      | <b>CUSTOMER DRAWING</b>   |
| <b>TITLE</b>   | <b>Stainless Steel Receptacle 8D series</b> |                            |   |
| SCALE          |   | General linear Tolerances: | NPRDS / PROJECT   |
| NA             |   | ±--                        | <b>859</b>  |
| <b>SOURIAU</b> | <b>WWW.SOURIAU.COM</b>                      |                            | This document is the property of SOURIAU it must not be reproduced or communicated without permission |
| FORMAT         | <b>SOURIAU DRG N° 8D723S55SBL-C</b>         |                            | SHEET 2/2   |