

LAYOUT SHOWN AS EXAMPLE

Keying Shown as example

CHARACTERISTICS

- Standard : Based on MIL-DTL-38999 Series III
- Shell Material : Stainless Steel
- Shell Plating : Passivated
- Insulator : Thermoplastic
- Contacts : Copper Alloy
- Seals & Grommet : Silicon Elastomer
- Contact Plating : Gold over copper Alloy 0.8µm minimum
- Durability : 500 Mating cycles
- Delivered with Souriau contacts and Accessories
- Temperature Range : -65°C to +200°C
- Salt Spray : 500 hours

Connector dimension	
Dim	Nominal
A	55.6±0.3
B	39.67+0.1/-0.15
R	32.5Max
S	52.4±0.4
W	3+0.9/-0.1
VV THREAD	M34x1-6g

SOURIAU shall not be liable for any non-conformity or damage due to a use of the Products which does not comply with the Specifications issued by either of the Parties or by a third party (professional recommendation, technical notice.)

Country	Jurisdiction & Control List
FR	Not Listed

PN: 8D723K35BE

A	30-09-2016	First Release	
ISS	DATE	Latest modification - by	MOD N°
Designed By:		Date:	CUSTOMER DRAWING
TITLE	Stainless Steel Receptacle 8D series		
SCALE		General linear Tolerances: ±--	NPRDS / PROJECT 859
NA			
SOURIAU	WWW.SOURIAU.COM		This document is the property of SOURIAU it must not be reproduced or communicated without permission
FORMAT A3	SOURIAU DRG N° 8D723K35BE-C		SHEET 1/2

BASIC SERIES:	8D	7	-	23	K	35	B	E	ORIENTATION : E
SHELL TYPE :	Jam nut Receptacle								CONTACT TYPE : SOCKET(500 Matings)
CONTACT TYPE :	Standard Crimp Contact								CONTACT LAYOUT : 23-35
SHELL SIZE :	23								
PLATING :	K = Passivated								

Contact Layout



Contacts (Insert arrangement 23-35)					
Contact position ID	Location		Contact position ID	Location	
	X-axis (mm)	Y-axis (mm)		X-axis (mm)	Y-axis (mm)
1	-428 (10.87)	+241 (6.12)	51	+000 (0.00)	-047 (1.19)
2	-467 (11.86)	+154 (3.91)	52	+000 (0.00)	-142 (3.61)
3	-488 (12.40)	+061 (1.55)	53	+000 (0.00)	-237 (6.02)
4	-415 (10.54)	+000 (0.00)	54	+000 (0.00)	-332 (8.43)
5	-488 (12.40)	-061 (1.55)	55	+000 (0.00)	-427 (10.85)
6	-428 (10.87)	-142 (3.61)	56	+083 (2.11)	-475 (12.07)
7	-428 (10.87)	-237 (6.02)	57	+083 (2.11)	-380 (9.65)
8	-332 (8.43)	+333 (8.46)	58	+083 (2.11)	-285 (7.24)
9	-332 (8.43)	+238 (6.05)	59	+083 (2.11)	-190 (4.83)
10	-332 (8.43)	+143 (3.63)	60	+083 (2.11)	-095 (2.41)
11	-332 (8.43)	+048 (1.22)	61	+083 (2.11)	-000 (0.00)
12	-332 (8.43)	-047 (1.19)	62	+083 (2.11)	-095 (2.41)
13	-332 (8.43)	-142 (3.61)	63	+083 (2.11)	-190 (4.83)
14	-332 (8.43)	-237 (6.02)	64	+083 (2.11)	-285 (7.24)
15	-332 (8.43)	-332 (8.43)	65	+083 (2.11)	-380 (9.65)
16	-249 (6.32)	+380 (9.65)	66	+083 (2.11)	-475 (12.07)
17	-249 (6.32)	+285 (7.24)	67	+166 (4.22)	+428 (10.87)
18	-249 (6.32)	+190 (4.83)	68	+166 (4.22)	+333 (8.46)

Contacts (Insert arrangement 23-35)					
Contact position ID	Location		Contact position ID	Location	
	X-axis (mm)	Y-axis (mm)		X-axis (mm)	Y-axis (mm)
19	-249 (6.32)	+095 (2.41)	69	+166 (4.22)	+238 (6.05)
20	-249 (6.32)	+000 (0.00)	70	+166 (4.22)	+143 (3.63)
21	-249 (6.32)	-095 (2.41)	71	+166 (4.22)	+048 (1.22)
22	-249 (6.32)	-190 (4.83)	72	+166 (4.22)	-047 (1.19)
23	-249 (6.32)	-285 (7.24)	73	+166 (4.22)	-142 (3.61)
24	-249 (6.32)	-380 (9.65)	74	+166 (4.22)	-237 (6.02)
25	-166 (4.22)	+428 (10.87)	75	+166 (4.22)	-332 (8.43)
26	-166 (4.22)	+333 (8.46)	76	+166 (4.22)	-427 (10.85)
27	-166 (4.22)	+238 (6.05)	77	+249 (6.32)	+380 (9.65)
28	-166 (4.22)	+143 (3.63)	78	+249 (6.32)	+285 (7.24)
29	-166 (4.22)	+048 (1.22)	79	+249 (6.32)	+190 (4.83)
30	-166 (4.22)	-047 (1.19)	80	+249 (6.32)	+095 (2.41)
31	-166 (4.22)	-142 (3.61)	81	+249 (6.32)	+000 (0.00)
32	-166 (4.22)	-237 (6.02)	82	+249 (6.32)	-095 (2.41)
33	-166 (4.22)	-332 (8.43)	83	+249 (6.32)	-190 (4.83)
34	-166 (4.22)	-427 (10.85)	84	+249 (6.32)	-285 (7.24)
35	-083 (2.11)	+475 (12.07)	85	+249 (6.32)	-380 (9.65)
36	-083 (2.11)	+380 (9.65)	86	+332 (8.43)	+333 (8.46)
37	-083 (2.11)	+285 (7.24)	87	+332 (8.43)	+238 (6.05)
38	-083 (2.11)	+190 (4.83)	88	+332 (8.43)	+143 (3.63)
39	-083 (2.11)	+095 (2.41)	89	+332 (8.43)	+048 (1.22)
40	-083 (2.11)	+000 (0.00)	90	+332 (8.43)	-047 (1.19)
41	-083 (2.11)	-095 (2.41)	91	+332 (8.43)	-142 (3.61)
42	-083 (2.11)	-190 (4.83)	92	+332 (8.43)	-237 (6.02)
43	-083 (2.11)	-285 (7.24)	93	+332 (8.43)	-332 (8.43)
44	-083 (2.11)	-380 (9.65)	94	+428 (10.87)	+241 (6.12)
45	-083 (2.11)	-475 (12.07)	95	+467 (11.86)	+154 (3.91)
46	+000 (0.00)	+428 (10.87)	96	+488 (12.40)	+061 (1.55)

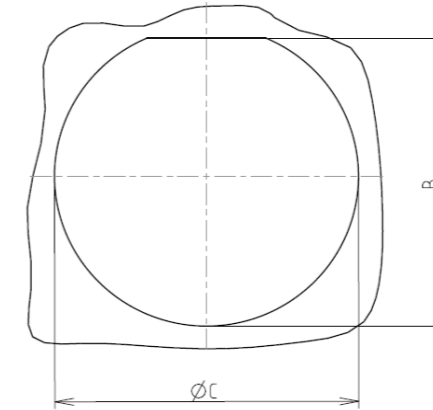
Contacts (Insert arrangement 23-35)					
Contact position ID	Location		Contact position ID	Location	
	X-axis (mm)	Y-axis (mm)		X-axis (mm)	Y-axis (mm)
47	+000 (0.00)	+333 (8.46)	97	+415 (10.54)	+000 (0.00)
48	+000 (0.00)	+238 (6.05)	98	+488 (12.40)	-061 (1.55)
49	+000 (0.00)	+143 (3.63)	99	+428 (10.87)	-142 (3.61)
50	+000 (0.00)	+048 (1.22)	100	+428 (10.87)	-237 (6.02)

Shell size	Arrangement no.	Number of contacts	Size contacts	Service rating	Contact location	Supersedes
23	-35	100	220	M	All	MS27532-35

(Applicable to MIL-DTL-38999 only)

Panel cutout

JAM NUT RECEPTACLE (TYPE 7)



Dim	Nominal
B	40.26+0/-0.25
ØC	41.53+0.25/-0

SOURIAU shall not be liable for any non-conformity or damage due to a use of the Products which does not comply with the Specifications issued by either of the Parties or by a third party (professional recommendation, technical notice.)

Country	Jurisdiction & Control List
FR	Not Listed

PN: 8D723K35BE

A	30-09-2016	First Release	
ISS	DATE	Latest modification - by	MOD N°
Designed By:		Date:	CUSTOMER DRAWING
TITLE		Stainless Steel Receptacle 8D series	
SCALE	NA	General linear Tolerances: ±--	NPRDS / PROJECT 859
SOURIAU		WWW.SOURIAU.COM	
This document is the property of SOURIAU it must not be reproduced or communicated without permission			
FORMAT	SOURIAU DRG N° 8D723K35BE-C		SHEET 2/2