

LAYOUT SHOWN AS EXAMPLE

Keying Shown as example

**CHARACTERISTICS**

- Standard : Based on MIL-DTL-38999 Series III
- Shell Material : Aluminium
- Shell Plating : Nickel
- Insulator : Thermoplastic
- Contacts : Copper Alloy
- Seals & Grommet : Silicon Elastomer
- Contact Plating : Gold over copper Alloy 0.8µm minimum
- Durability : 500 Mating cycles
- Delivered with Souriau contacts and Accessories
- Temperature Range : -65°C to +200°C
- Salt Spray : 48 hours
- Mass : 57.23 g ± 10%

| Connector dimension |                 |
|---------------------|-----------------|
| Dim                 | Nominal         |
| A                   | 49.2±0.3        |
| B                   | 33.32+0.1/-0.15 |
| R                   | 32.5Max         |
| S                   | 46±0.4          |
| W                   | 3+0.9/-0.1      |
| VV THREAD           | M28x1-6g        |

SOURIAU shall not be liable for any non-conformity or damage due to a use of the Products which does not comply with the Specifications issued by either of the Parties or by a third party (professional recommendation, technical notice.)

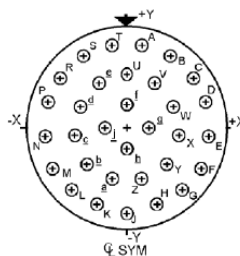
| Country | Jurisdiction & Control List |
|---------|-----------------------------|
| FR      | Not Listed                  |

**PN: 8D719F32BA**

|              |   |                                |   |
|--------------|---|--------------------------------|---|
| A            | 30-09-2016  | First Release                  |   |
| ISS          | DATE  | Latest modification - by       | MOD N°  |
| Designed By: |   | Date:                          | <b>CUSTOMER DRAWING</b>   |
| <b>TITLE</b> | <b>Aluminium Receptacle 8D series</b>                               |                                |   |
| SCALE        |   | General linear Tolerances: ±-- | NPRDS / PROJECT<br><b>859</b>   |
| NA           | <b>SOURIAU</b> <a href="http://WWW.SOURIAU.COM">WWW.SOURIAU.COM</a> |                                | This document is the property of SOURIAU it must not be reproduced or communicated without permission |
| FORMAT       | <b>A3</b>   |                                | <b>SOURIAU DRG N° 8D719F32BA-C</b> SHEET 1/2  |

|                |                        |   |   |    |   |    |   |                                    |
|----------------|------------------------|---|---|----|---|----|---|------------------------------------|
| BASIC SERIES:  | 8D                     | 7 | - | 19 | F | 32 | B | A                                  |
| SHELL TYPE :   | Jam nut Receptacle     |   |   |    |   |    |   |                                    |
| CONTACT TYPE : | Standard Crimp Contact |   |   |    |   |    |   |                                    |
| SHELL SIZE :   | 19                     |   |   |    |   |    |   |                                    |
| PLATING :      | F = Nickel             |   |   |    |   |    |   |                                    |
|                |                        |   |   |    |   |    |   | ORIENTATION : A                    |
|                |                        |   |   |    |   |    |   | CONTACT TYPE : SOCKET(500 Matings) |
|                |                        |   |   |    |   |    |   | CONTACT LAYOUT : 19-32             |

Contact Layout

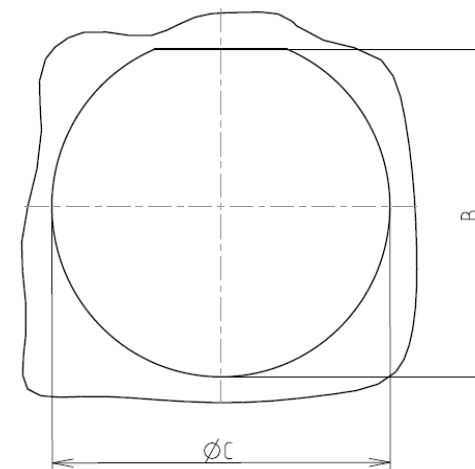


| Contacts<br>(insert arrangement 19-32) |                  |             |                     |                  |             |
|--|------------------|-------------|---------------------|------------------|-------------|
| Contact position ID                    | Contact location |             | Contact position ID | Contact location |             |
|  | X-axis (mm)      | Y-axis (mm) |                     | X-axis (mm)      | Y-axis (mm) |
| A                                      | +066 (1.68)      | +353 (8.97) | T                   | -066 (1.68)      | +353 (8.97) |
| B                                      | +189 (4.80)      | +305 (7.75) | U                   | +000 (0.00)      | +230 (5.84) |
| C                                      | +286 (7.26)      | +217 (5.51) | V                   | +124 (3.15)      | +193 (4.90) |
| D                                      | +345 (8.76)      | +098 (2.49) | W                   | +209 (5.31)      | +092 (2.41) |
| E                                      | +357 (9.07)      | -033 (0.84) | X                   | +228 (5.79)      | -033 (0.84) |
| F                                      | +321 (8.15)      | -160 (4.06) | Y                   | +174 (4.42)      | -151 (3.84) |
| G                                      | +242 (6.15)      | -265 (6.73) | Z                   | +065 (1.65)      | -221 (5.61) |
| H                                      | +130 (3.30)      | -335 (8.51) | a                   | -065 (1.65)      | -221 (5.61) |
| J                                      | -000 (0.00)      | -359 (9.12) | b                   | -174 (4.42)      | -151 (3.84) |
| K                                      | -130 (3.30)      | -335 (8.51) | c                   | -228 (5.79)      | -033 (0.84) |
| L                                      | -242 (6.15)      | -265 (6.73) | d                   | -209 (5.31)      | +092 (2.41) |
| M                                      | -321 (8.15)      | -160 (4.06) | e                   | -124 (3.15)      | +193 (4.90) |
| N                                      | -357 (9.07)      | -033 (0.84) | f                   | +000 (0.00)      | +096 (2.44) |
| P                                      | -345 (8.76)      | +098 (2.49) | g                   | +096 (2.44)      | +000 (0.00) |
| R                                      | -286 (7.26)      | +217 (5.51) | h                   | +000 (0.00)      | -096 (2.44) |
| S                                      | -189 (4.80)      | +305 (7.75) | j                   | -096 (2.44)      | +000 (0.00) |

| Shell size | Arrangement no. | Number of contacts | Size contacts | Service rating | Contact location | Supersedes |
|------------|-----------------|--------------------|---------------|----------------|------------------|------------|
| 19         | -32             | 32                 | 20            | I              | All              | MS20054-32 |

Panel cutout

JAM NUT RECEPTACLE (TYPE 7)



| Dim | Nominal       |
|-----|---------------|
| B   | 33.91+0/-0.25 |
| ØC  | 35.18+0.25/-0 |

SOURIAU shall not be liable for any non-conformity or damage due to a use of the Products which does not comply with the Specifications issued by either of the Parties or by a third party (professional recommendation, technical notice.)

| Country | Jurisdiction & Control List |
|---------|-----------------------------|
| FR      | Not Listed                  |

PN: 8D719F32BA

|                |                                    |                            |   |
|----------------|------------------------------------|----------------------------|---|
| A              | 30-09-2016                         | First Release              |   |
| ISS            | DATE                               | Latest modification - by   | MOD N°  |
| Designed By:   |                                    | Date:                      | <b>CUSTOMER DRAWING</b>   |
| <b>TITLE</b>   | Aluminium Receptacle 8D series     |                            |   |
| SCALE          |                                    | General linear Tolerances: | NPRDS / PROJECT   |
| NA             |                                    | ±--                        | <b>859</b>  |
| <b>SOURIAU</b> | <b>WWW.SOURIAU.COM</b>             |                            | This document is the property of SOURIAU it must not be reproduced or communicated without permission |
| FORMAT         | <b>SOURIAU DRG N° 8D719F32BA-C</b> |                            | SHEET 2/2   |