

38999 Series III ELIO® Fiber Optic Backshell Range



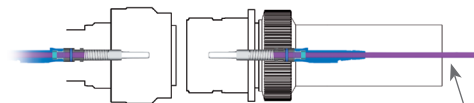
A Complete Backshell Range Insuring ELIO® High Performance

Souriau has developed a dedicated backshell range for 38999 Series III to accommodate the specific physical properties of the ELIO® optical terminus.

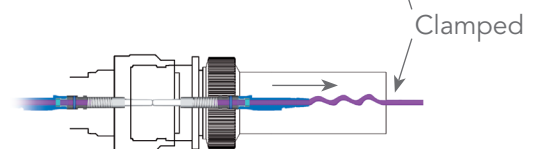
4 types available ■ Adapted to multi-fiber cable and single fiber assemblies.

Easy harnessing ■ Cabling chamber adapted to ELIO® technology.

Unmated:



Mated:



High performances ■ Accommodates movement of cable during mating.

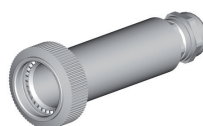
SOURIAU global offering ■ Accessories and harnessing also available.

Description

- The optical contact can have a specific mating sequence: the cable can move back during the mating in some situation. To avoid the mating sequence to be disturbed and to ensure the best optical.
- There are 4 types of backshell available. They are compatible with standard electrical MIL-DTL-38999 Series III/EN3645 rear interface.



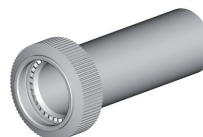
Type 1: Adaptor for use with a standard 38999 Series III/EN3645 backshell. Caution is necessary in the choice of the standard backshell: it must allow enough room to accommodate the push back of the cable during the connector mating.



Type 3: Backshell with cable gland suitable for tactical cables only. Adapted to sealed and high mechanical retention applications. See table p.4 for dimension code depending on the shell size and the cable diameter.



Type 2: Backshell for straight or right angled heat shrink boot (not supplied), suitable for tactical cables or protection tubes for example. Adapted to sealed and low mechanical retention applications.



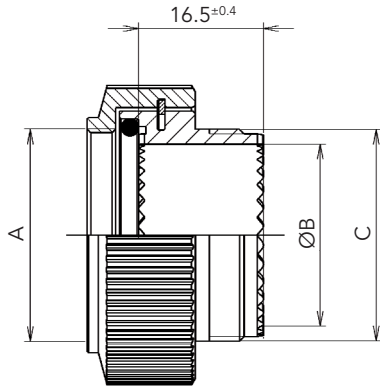
Type 4: Backshell derived from Type 3 without the cable gland. Suitable to adapt specific male threaded adaptors (not supplied) for ANAMET or PMA tubes for example. See table p.4 for the size of the female thread depending on the shell size.

Ordering information

	8DABE	3	A	F	13	F	01
Type:	<ul style="list-style-type: none"> 1: Adaptor for standard 38999 Series III/EN3645 backshell (standard backshell not supplied) 2: Backshell for straight or right angled heat shrink boot (heat shrink boot not supplied) 3: Backshell with cable gland. See table p.4 for dimension code. 4: Backshell for specific male threaded adaptor for PMA or ANAMET tubes for example (not supplied). See table p.4 for thread dimensions 						
Angle:	<ul style="list-style-type: none"> A: Straight For other angle, please consult us. 						
Coupling ring:	<ul style="list-style-type: none"> F: Non self locking type For other system, please consult us. 						
Shell size:	09, 11, 13, 19, 25						
Material & Plating:	<ul style="list-style-type: none"> Z: Aluminum black zinc nickel plating W: Aluminum olive green cadmium plating F: Aluminum nickel plating B: Bronze 						
Dimension code:	<ul style="list-style-type: none"> 01: Only for Type 3, see table p.4 No digit for other types. 						

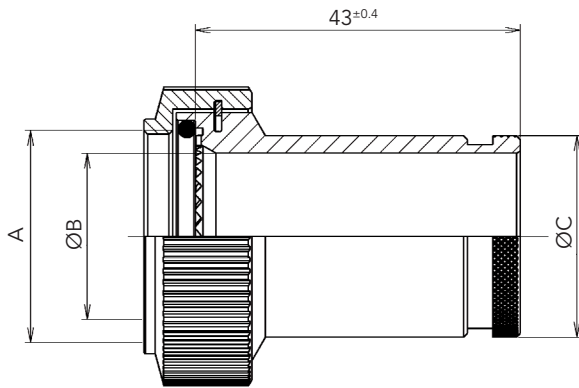
Backshells - Dimensions

Backshell Type 1



Size	Thread A	ØB±0.25	Thread C
09	M12x1	8.7	M12x1
11	M15x1	11.7	M15x1
13	M18x1	14.7	M18x1
19	M28x1	22.3	M28x1
21	M31x1	25.8	M31x1
25	M37x1	32.6	M37x1

Backshell Type 2

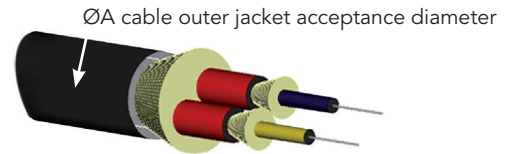
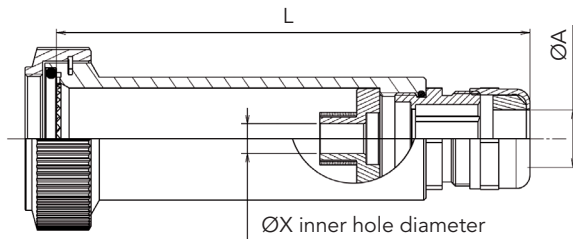


Size	Thread A	ØB±0.25	ØC±0.2
09	M12x1	8.7	16.7
11	M15x1	11.7	19.7
13	M18x1	14.7	22.7
19	M28x1	22.3	26.6
21	M31x1	26.3	30.4
25	M37x1	32.6	36.8

Note: All dimensions are in millimeters (mm)

Dimensions

Backshell Type 3



Note: Same marking as Type 4.

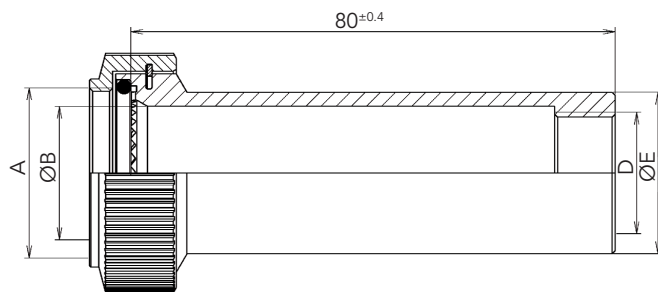
Shell size	09			11			13			19			21			25		
Cable diameter acceptance ØA	DC	L	ØX Max	DC	L	ØX Max	DC	L	ØX Max	DC	L	ØX Max	DC	L	ØX Max	DC	L	ØX Max
3 to 6 mm	00	101	3.5	00	101	5	00	101	5	00*	104	5	00*	104	5	00*	104	5
5 to 7.8 mm	01	103	3.5															
5 to 8 mm				01	101	5	01	101	7	01*	104	7	01*	104	7	01*	104	7
6 to 10 mm				02**	114	5	02**	114	7	02	102	11	02	105	11	02*	105	11
8 to 11.8 mm				03**	115	5	03**	115	7									
8 to 12 mm										03	103	11	03*	106	11	03*	106	11
9.5 to 14 mm										04**	116	11	04	104	14	04	104	14
11.5 to 15.8 mm										05**	122	11						
11.5 to 18 mm													05	110	14	05	110	14
15 to 20.8 mm													06**	130	17	06**	130	17

DC = Dimension Code

* with reducer

** with amplifier

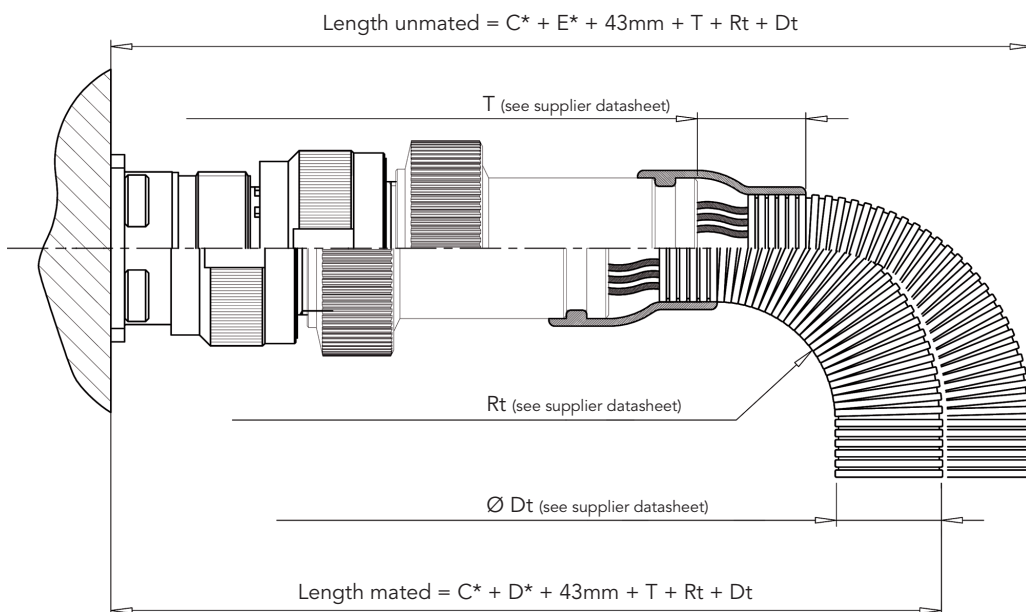
Backshell Type 4



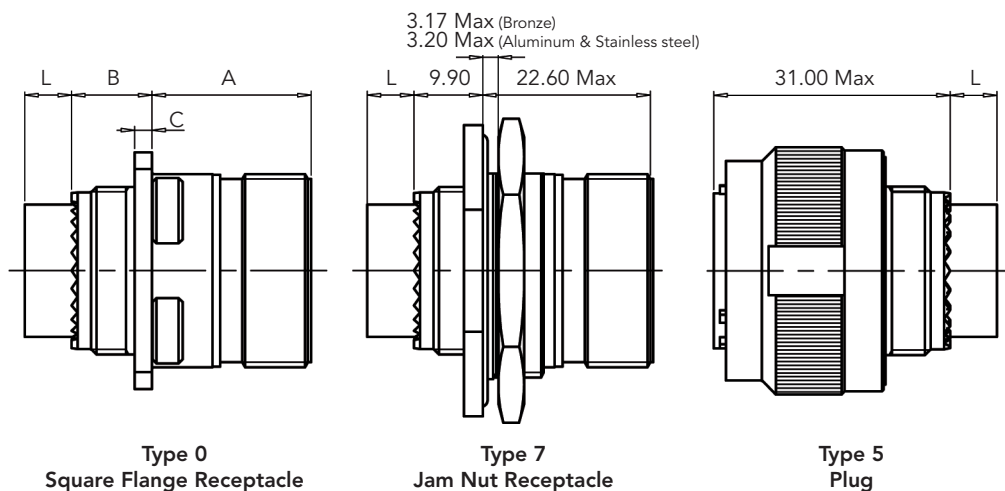
Size	Thread A	ØB ^{±0.25}	Thread D	ØE ^{±0.2}
09	M12x1	8.7	M12x1.5	16.7
11	M15x1	11.7	M16x1.5	19.7
13	M18x1	14.7	M16x1.5	22.7
19	M28x1	22.3	M20x1.5	26.6
21	M31x1	26.3	M25x1.5	30.4
25	M37x1	32.6	M25x1.5	36.8

Note: All dimensions are in millimeters (mm)

Total length with backshell

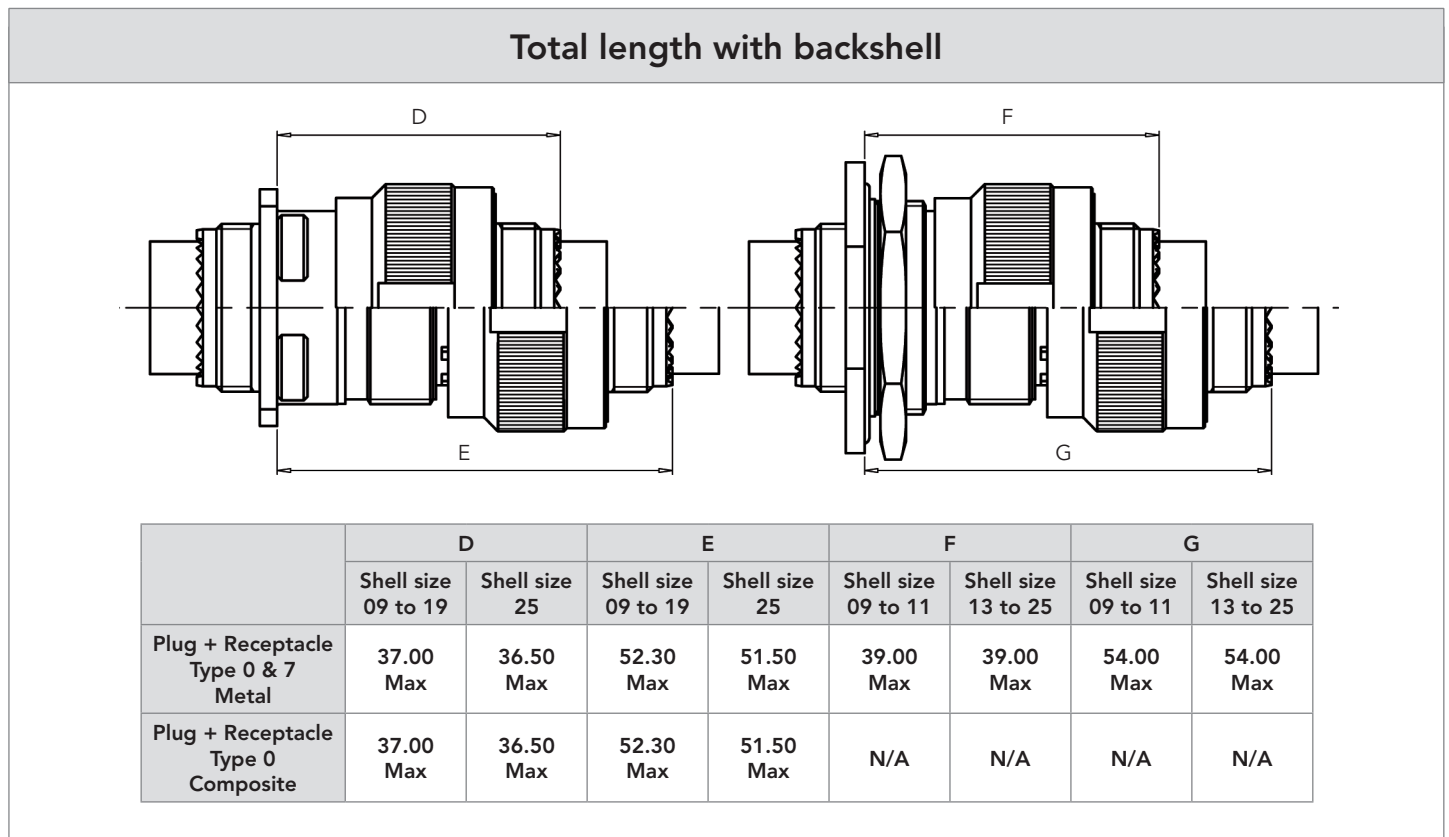


* See pages 5 & 6



	A		B		C		L	
	Shell size 09 to 19	Shell size 25	Shell size 09 to 19	Shell size 25	Shell size 09 to 19	Shell size 25	Male insulator	Female insulator
Receptacle Type 0 & 7 Metal	20.90 Max	20.10 Max	12.50 Max	13.00 Max	2.50 Max	3.20 Max	4 Max	6.60 Max
Receptacle Type 0 Composite	20.90 Max	20.10 Max	12.50 Max	13.00 Max	3.65 Max	4.35 Max		

Note: All dimensions are in millimeters (mm)



Note: All dimensions are in millimeters (mm)

Backshell use examples

Type 2 - heat shrink boot not supplied

- 8DABE2AF13W with a straight boot on PMA tube



- 8DABE2AF13F with a right angled boot on tactical cable



Type 3 - supplied with cable gland

- 8DABE3AF13W01



Type 4 - supplied without the specific adaptor

- 8DABE4AF13W with PMA tube adaptor



For further information contact us at technical.emear@souriau.com (Europe - Asia - Africa)
technical.americas@souriau.com (North America)
 or visit our web site www.souriau.com