



## Solder Contacts on Both Sides of Bulkhead

Designed for high vibration environment. Wire soldered on both sides of the feed-through: no plugs needed.

**Cost and space saving** ■ Adapted to space-constrained area.  
No plugs necessary.

**Easy to solder** ■ Contacts fully tin plated.  
Different contact sizes available.

**High performance sealing** ■  $<1.10^{-7}$  atm.cm<sup>3</sup>/s.

**Heat shrink boot version** ■ AM44 connector with specific shell:



Specific shell development on demand,  
please consult us.



## Description

- Solder contacts on both sides of bulkhead
- Designed for high vibration environment
- Wire soldered on both sides of the feed-through: no plugs needed
- Cost and space saving:
  - . Adapted to space-constrained area
  - . No plugs necessary
- Easy to solder:
  - . Contacts fully tin plated
  - . Different contact sizes available
- High performance sealing:  $<1.10^{-7}$  atm.cm<sup>3</sup>/s

## Technical features

### Mechanical

- **Shell:** Stainless steel
- **Shell plating:** Passivated
- **Insulator:** Glass bead
- **Contact:** Nickel iron, tin plated

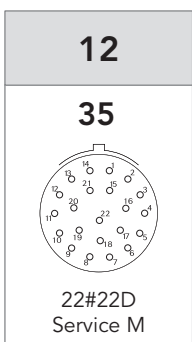
### Electrical

- **Test voltage:** Service M: 1300V
- **Contact resistance:** 2 mΩ
- **Insulation resistance:**
  - ≥ 5000MΩ (at 500Vdc)
- **Contact rating:** Size 22D: 3 A

### Environmental

- **Operating temperature:**
  - 55°C to +175°C
- **Sealing mated connectors:**
  - IP67 (1 meter for 30 min minimum)
- **Salt spray:** 48 hours
- **Hermeticity:**  $1.10^{-7}$ cm<sup>3</sup>/s

## Contact layouts (viewed from front face of male insulator)

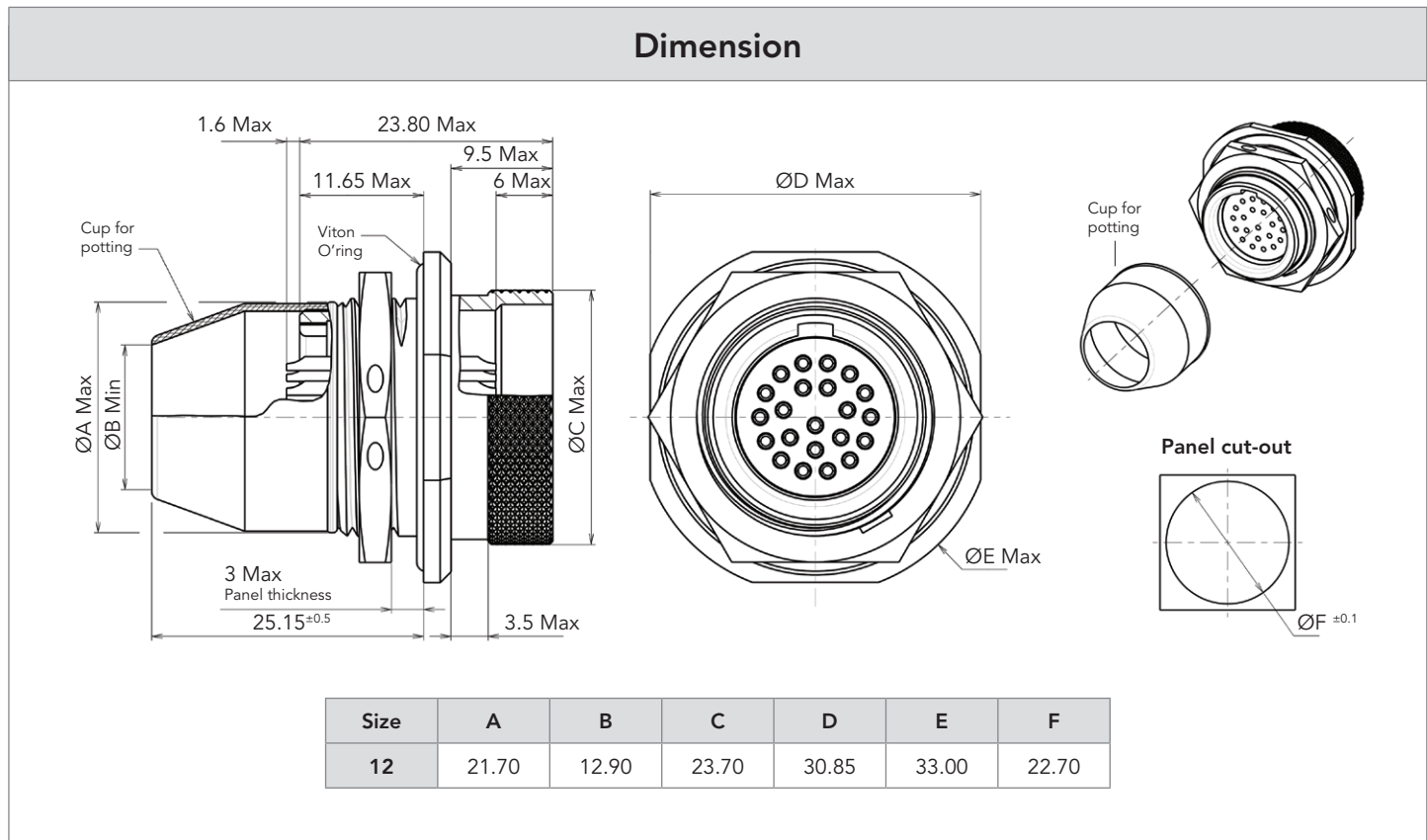


Consult us for other layouts or shell sizes.

## Ordering information

<b>Basic series</b>	8STA	7	Y	12	35	199
<b>Shell type</b>	7: Jam nut receptacle					
<b>Class</b>	Y: Hermetic version					
<b>Shell size</b>	12					
<b>Contact layout</b>	35					
<b>Specification</b>	199: #22 solder cup contacts on both sides					

Note: Delivery will contain the cup for potting and the jam nut receptacle not mounted. Consult us for other layouts or shell sizes.



Note: All dimensions are in millimeters (mm)

For further information contact us at [technical-emearect@esterline.com](mailto:technical-emearect@esterline.com) (Europe - Asia - Africa)  
[technical-americas-ect@esterline.com](mailto:technical-americas-ect@esterline.com) (North America)  
 or visit our web site [www.esterline-connection-technologies.com](http://www.esterline-connection-technologies.com)